

HIGH SPEED QUAD CHANNEL DIGITAL ISOLATORS

DCL54xx01

DCL541L01/DCL541H01/DCL542L01/DCL542H01

1. Applications

- Industrial automation systems
- Motor control
- Inverter
- Switching power supply

2. Description

DCL541L01 / DCL541H01 / DCL542L01 / DCL542H01 are high-speed quad-channel digital isolators. Outstanding performance characteristics are achieved by Toshiba CMOS technology and the magnetic coupling structure. In addition, they comply with UL 1577 and has a 5000V_{rms} rating as an isolation voltage. These products can operate with a temperature range of -40 to 110 °C and a wide supply voltage of 2.25 to 5.5 V.

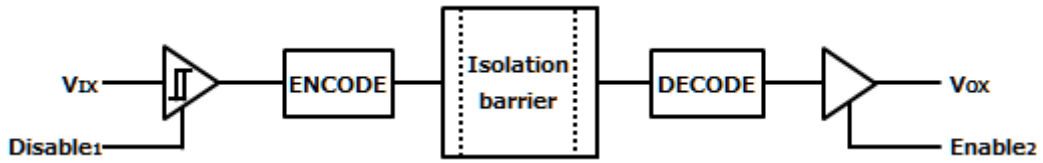
3. Features

Data rate	: Up to 150 Mbps
Supply voltage	: 2.25V to 5.5 V
Temperature Range	: -40°C to 110 °C
Propagation Delay	: 10.9 ns Typ. (5.0 V operation)
Default Output	: High and Low Options
High CMTI(min)	: ±100 kV/μs
Withstand Voltage	: 5 kV _{rms}
Package	: 16pin SOIC Wide body
Safety-Related Certification	:
UL	: UL 1577, File No. E519997
cUL	: CSA Component Acceptance Service Notice No. 5A, File No. E519997
VDE	: DIN EN IEC 60747-17; (VDE 0884-17) (Pending)
CQC	: GB 4943.1-2022 Certificate No. CQC22001345018

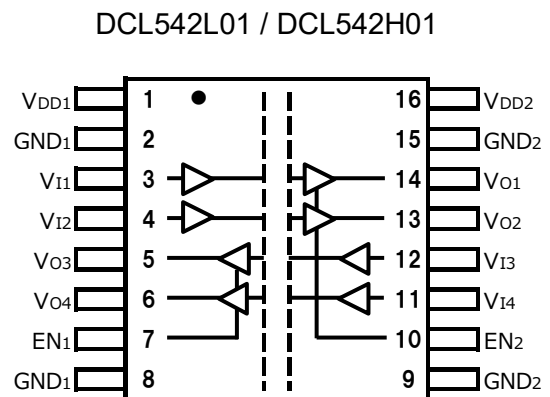
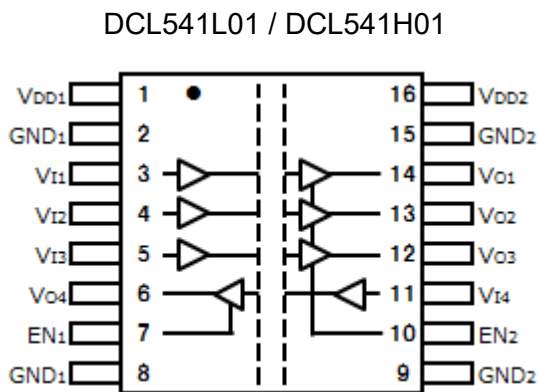
Table of Contents

1. Applications	1
2. Description	1
3. Features	1
4. Internal Circuit	3
5. Pin configuration and Functions	3
5.1. Pin Functions	4
6. Functional Description	5
7. Absolute Maximum Ratings	6
8. Recommended Operating Conditions (Note)	6
9. Electrical Characteristics	7
9.1. Electrical Characteristics – 5 V Supply	7
9.2. Electrical Characteristics – 3.3 V Supply	8
9.3. Electrical Characteristics – 2.5 V Supply	9
9.4. Supply Current Characteristics – 5 V Supply	10
9.5. Supply Current Characteristics – 3.3 V Supply	11
9.6. Supply Current Characteristics – 2.5 V Supply	12
10. Insulation Specifications	13
11. Safety Limiting Values	14
12. Test Circuit	15
13. Characteristics Curves	22
14. Application Note	24
14.1. Eye diagram.....	24
14.2. PCB layout	24
15. Package Information	25
RESTRICTIONS ON PRODUCT USE	26

4. Internal Circuit



5. Pin configuration and Functions



5.1. Pin Functions

NAME	PIN		I/O	DESCRIPTION
	DCL541L01 DCL541H01	DCL542L01 DCL542H01		
V _{DD1}	1	1	-	Power Supply, side 1
GND ₁	2, 8	2, 8	-	GND connection for V _{DD1} , side 1
V _{I1}	3	3	I	Input, Channel1
V _{I2}	4	4	I	Input, Channel2
V _{I3}	5	12	I	Input, Channel3
V _{I4}	11	11	I	Input, Channel4
EN ₁	7	7	I	Output enable 1. Input pins on side 1 are enabled when EN ₁ is high or open, and in high impedance state when EN ₁ is low.
GND ₂	9, 15	9, 15	-	GND connection for V _{DD2} , side 2
EN ₂	10	10	I	Output enable 2. Output pins on side 2 are enabled when EN ₂ is high or open, and in high impedance state when EN ₂ is low.
V _{O4}	6	6	O	Output, Channel4
V _{O3}	12	5	O	Output, Channel3
V _{O2}	13	13	O	Output, Channel2
V _{O1}	14	14	O	Output, Channel1
V _{DD2}	16	16	-	Power Supply, side 2

6. Functional Description

(1) DCL541L01/DCL541H01 / DCL542L01/DCL542H01

V _{DDI}	V _{DDO}	OUTPUT ENABLE (EN _{ox})	INPUT (V _{ix})	OUTPUT (V _{ox})	DESCRIPTION
PU	PU	H or OPEN	L	L	Normal Operation
			H	H	
		OPEN	Default	Default mode DCL54xL01=L , DCL54xH01=H	
		L	*	Z	Output Disable mode
PU	PD	*	*	Undetermined	When V _{DDO} is unpowered, a channel output is undetermined.
PD	PU	H or OPEN	*	Default	Default mode DCL54xL01=L , DCL54xH01=H
		L		Z	Output Disable mode
PD	PD	*	*	Undetermined	When V _{DDO} is unpowered, a channel output is undetermined.

PU= Powered up (V_{DD}≥2.25 V), PD= Powered down (V_{DD}≤1.7 V), H= High level, L= Low level, * = Don't care

V_{DDI}, V_{DDO}: Supply voltages on the input and output sides of each channel.

EN_{ox}: Output enable signal on the same side as the VOX output.

V_{ix}, V_{ox}: Input and output signals of each channel.

When the input pin on the power-off side is set to "H", power is supplied to the device via the ESD circuit, so use is prohibited.

7. Absolute Maximum Ratings

PARAMETER	SYMBOL	MIN	MAX	UNIT
Power supply voltage	V_{DD1}, V_{DD2}	-0.5	6.0	V
Input Voltage	V_I	-0.5	$V_{DDX}+0.5^{(1)}$	V
Output Voltage	V_O	-0.5	$V_{DDX}+0.5^{(1)}$	V
Output Current	I_O	-15	15	mA
Storage Temperature	T_{stg}	-65	150	°C
Operating Temperature	T_{opr}	-40	110	°C
Soldering Temperature (10 s)	T_{sol}	-	260	°C
Maximum Withstanding Isolation Voltage (1 min.)	BV_S	5000	-	V_{rms}

1: Maximum voltage must not exceed 6 V. X = 1 or 2.

8. Recommended Operating Conditions (Note)

PARAMETER	SYMBOL	MIN	MAX	UNIT
Power supply voltage	V_{DD1}, V_{DD2}	2.25	5.5	V
Junction Temperature	T_J	-40	150	°C
Operating Temperature	T_{opr}	-40	110	°C

Note: The recommended operating conditions are given as a design guide necessary to obtain the intended performance of the device. Each parameter is an independent value. When creating a system design using this device, the electrical characteristics specified in this data sheet should also be considered.

Note: A ceramic capacitor (0.1 μ F) should be connected between pin 1 (V_{DD1}) and pin 2 (GND1) for V_{DD1} and between pin 16 (V_{DD2}) and pin 15 (GND2) for V_{DD2} , and should be the layout on the IC as close as possible (less than 10 mm). Otherwise, the IC may not switch properly.

9. Electrical Characteristics

9.1. Electrical Characteristics – 5 V Supply

All typical specifications are at $T_a=25\text{ }^\circ\text{C}$, $V_{DD1}=V_{DD2}=5\text{ V}$. Minimum/maximum specifications apply over the entire recommended operating range of $4.5\text{ V}\leq V_{DD1}\leq 5.5\text{ V}$, $4.5\text{ V}\leq V_{DD2}\leq 5.5\text{ V}$, and $-40\text{ }^\circ\text{C}\leq T_a\leq 110\text{ }^\circ\text{C}$, unless otherwise noted.

PARAMETER	TEST CONDITIONS	Fig.	SYMBOL	MIN	TYP.	MAX	UNIT
DC SPECIFICATIONS							
Under voltage Lockout	Threshold when supply voltage is rising	Fig.12-1 Fig.12-3	V_{DDXUV+}	-	2.10	2.25	V
	Threshold when supply voltage is falling		V_{DDXUV-}	1.7	1.9	-	
	Supply voltage hysteresis		V_{DDXUVH}	0.1	0.2	-	
Output Voltage Logic High	$V_{ix} = H$, $I_{OH} = -20\text{ }\mu\text{A}$	Fig.12-5	V_{OH}	$V_{DDO}^{(1)}-0.1$	$V_{DDO}^{(1)}$	-	V
	$V_{ix} = H$, $I_{OH} = -4\text{ mA}$			$V_{DDO}^{(1)}-0.4$	$V_{DDO}^{(1)}-0.2$	-	
Output Voltage Logic Low	$V_{ix} = L$, $I_{OL} = 20\text{ }\mu\text{A}$	Fig.12-5	V_{OL}	-	0.0	0.1	V
	$V_{ix} = L$, $I_{OL} = 4\text{ mA}$			-	0.2	0.4	
Output impedance	-	Fig.12-5	Z_O	-	50	-	Ω
High-level input voltage	-	Fig.12-7	V_{IH}	$0.7*V_{DDI}^{(1)}$	-	-	V
Low-level input voltage	-	Fig.12-7	V_{IL}	-	-	$0.3*V_{DDI}^{(1)}$	V
Input Voltage Hysteresis	-	Fig.12-7	V_{HYS}	-	0.37	-	V
Input Current	$V_I = V_{DDI}^{(1)}$ or 0 V	-	I_I	-	-	± 10	μA
SWITCHING SPECIFICATIONS							
Data Rate	-	-	t_{bps}	DC	-	150	Mbps
Pulse Width	-	-	PW	6.6	-	-	ns
Propagation Delay	50 kHz, Duty=50 %, $t_r=t_f=2\text{ ns}$, $C_L=15\text{ pF}$	Fig.12-9	t_{PHL} , t_{PLH}	-	10.9	18.3	ns
Pulse Width Distortion	$ t_{PHL} - t_{PLH} $	Fig.12-9	PWD	-	0.8	2.8	ns
Propagation Delay Skew ⁽²⁾ (Between any two units)	-	-	t_{PSK}	-	-	10	ns
Channel Matching	Same Direction	Fig.12-9	t_{skCD}	-	-	3.2	ns
	Opposing Direction	Fig.12-9	t_{skOD}	-	-	3.6	
Output Rise Time	10 % - 90 %	Fig.12-9	t_r	-	0.9	-	ns
Output Fall Time	90 % - 10 %	Fig.12-9	t_f	-	0.9	-	ns
Enable 3-state output enable time ⁽³⁾	50 kHz, Duty=50 %, $t_r=t_f=2\text{ ns}$, $C_L=15\text{ pF}$	Fig.12-12	t_{pZL} , t_{pZH}	-	-	15.0	ns
Enable 3-state output disable time		Fig.12-12	t_{pLZ} , t_{pHZ}	-	-	18.0	ns
Common mode transient immunity	$V_I = V_{DDI}$ or 0 V, $V_{CM}=1500\text{ V}$, $T_a=25\text{ }^\circ\text{C}$	Fig.12-15	CMTI	100	-	-	kV/ μs

1: V_{DDI} =Input-side V_{DDx} , V_{DDO} =Output-side V_{DDx}

2: Propagation delay difference (between parts) is applied under the same operating conditions (power supply voltage, input current, temperature conditions, etc.).

3: When EN_x signal is changed from Low to High or OPEN, the output signal (V_{Ox}) is valid after the output enable time. The output signal (V_{Ox}) within the output enable time is undefined.

9.2. Electrical Characteristics – 3.3 V Supply

All typical specifications are at $T_a=25\text{ }^\circ\text{C}$, $V_{DD1}=V_{DD2}=3.3\text{ V}$. Minimum/maximum specifications apply over the entire recommended operating range of $3.0\text{ V}\leq V_{DD1}\leq 3.6\text{ V}$, $3.0\text{ V}\leq V_{DD2}\leq 3.6\text{ V}$, and $-40\text{ }^\circ\text{C}\leq T_a\leq 110\text{ }^\circ\text{C}$, unless otherwise noted.

PARAMETER	TEST CONDITIONS	Fig.	SYMBOL	MIN	TYP.	MAX	UNIT
DC SPECIFICATIONS							
Under voltage Lockout	Threshold when supply voltage is rising	Fig.12-1 Fig.12-3	V_{DDXUV+}	-	2.10	2.25	V
	Threshold when supply voltage is falling		V_{DDXUV-}	1.7	1.9	-	
	Supply voltage hysteresis		V_{DDXUVH}	0.1	0.2	-	
Output Voltage Logic High	$V_{ix} = H$, $I_{OH} = -20\text{ }\mu\text{A}$	Fig.12-5	V_{OH}	$V_{DDO}^{(1)}-0.1$	$V_{DDO}^{(1)}$	-	V
	$V_{ix} = H$, $I_{OH} = -4\text{ mA}$			$V_{DDO}^{(1)}-0.4$	$V_{DDO}^{(1)}-0.2$	-	
Output Voltage Logic Low	$V_{ix} = L$, $I_{OL} = 20\text{ }\mu\text{A}$	Fig.12-5	V_{OL}	-	0.0	0.1	V
	$V_{ix} = L$, $I_{OL} = 4\text{ mA}$			-	0.2	0.4	
Output impedance	-	Fig.12-5	Z_O	-	50	-	Ω
High-level input voltage	-	Fig.12-7	V_{IH}	$0.7*V_{DDI}^{(1)}$	-	-	V
Low-level input voltage	-	Fig.12-7	V_{IL}	-	-	$0.3*V_{DDI}^{(1)}$	V
Input Voltage Hysteresis	-	Fig.12-7	V_{HYS}	-	0.32	-	V
Input Current	$V_I = V_{DDI}^{(1)}$ or 0 V	-	I_i	-	-	± 10	μA
SWITCHING SPECIFICATIONS							
Data Rate	-	-	t_{bps}	DC	-	150	Mbps
Pulse Width	-	-	PW	6.6	-	-	ns
Propagation Delay	50 kHz, Duty=50 %, $t_r=t_f=2\text{ ns}$, $C_L=15\text{ pF}$	Fig12-9	t_{PHL} , t_{PLH}	-	11.6	19.1	ns
Pulse Width Distortion	$ t_{PHL} - t_{PLH} $	Fig12-9	PWD	-	0.8	2.8	ns
Propagation Delay Skew ⁽²⁾ (Between any two units)	-	-	t_{PSK}	-	-	10	ns
Channel Matching	Same Direction	Fig12-9	t_{skCD}	-	-	3.3	ns
	Opposing Direction	Fig12-9	t_{skOD}	-	-	3.7	
Output Rise Time	10 % - 90 %	Fig12-9	t_r	-	0.8	-	ns
Output Fall Time	90 % - 10 %	Fig12-9	t_f	-	0.8	-	ns
Enable 3-state output enable time ⁽³⁾	50 kHz, Duty=50 %, $t_r=t_f=2\text{ ns}$, $C_L=15\text{ pF}$	Fig.12-12	t_{pZL} , t_{pZH}	-	-	15.0	ns
Enable 3-state output disable time		Fig.12-12	t_{pLZ} , t_{pHZ}	-	-	18.0	ns
Common mode transient immunity	$V_I = V_{DDI}$ or 0 V , $V_{CM}=1500\text{ V}$, $T_a=25\text{ }^\circ\text{C}$	Fig.12-15	CMTI	100	-	-	$\text{kV}/\mu\text{s}$

1: V_{DDI} =Input-side V_{DDX} , V_{DDO} =Output-side V_{DDX}

2: Propagation delay difference (between parts) is applied under the same operating conditions (power supply voltage, input current, temperature conditions, etc.).

3: When EN_x signal is changed from Low to High or OPEN, the output signal (V_{OX}) is valid after the output enable time. The output signal (V_{OX}) within the output enable time is undefined.

9.3. Electrical Characteristics – 2.5 V Supply

All typical specifications are at $T_a=25\text{ }^\circ\text{C}$, $V_{DD1}=V_{DD2}=2.5\text{ V}$. Minimum/maximum specifications apply over the entire recommended operating range of $2.25\text{ V}\leq V_{DD1}\leq 2.75\text{ V}$, $2.25\text{ V}\leq V_{DD2}\leq 2.75\text{ V}$, and $-40\text{ }^\circ\text{C}\leq T_a\leq 110\text{ }^\circ\text{C}$, unless otherwise noted.

PARAMETER	TEST CONDITIONS	Fig.	SYMBOL	MIN	TYP.	MAX	UNIT
DC SPECIFICATIONS							
Under voltage Lockout	Threshold when supply voltage is rising	Fig.12-1 Fig.12-3	V_{DDXUV+}	-	2.10	2.25	V
	Threshold when supply voltage is falling		V_{DDXUV-}	1.7	1.9	-	
	Supply voltage hysteresis		V_{DDXUVH}	0.1	0.2	-	
Output Voltage Logic High	$V_{ix} = H$, $I_{OH} = -20\text{ }\mu\text{A}$	Fig.12-5	V_{OH}	$V_{DDO}^{(1)}-0.1$	$V_{DDO}^{(1)}$	-	V
	$V_{ix} = H$, $I_{OH} = -4\text{ mA}$			$V_{DDO}^{(1)}-0.4$	$V_{DDO}^{(1)}-0.2$	-	
Output Voltage Logic Low	$V_{ix} = L$, $I_{OL} = 20\text{ }\mu\text{A}$	Fig.12-5	V_{OL}	-	0.0	0.1	V
	$V_{ix} = L$, $I_{OL} = 4\text{ mA}$			-	0.2	0.4	
Output impedance	-	Fig.12-5	Z_O	-	50	-	Ω
High-level input voltage	-	Fig.12-7	V_{IH}	$0.7*V_{DDI}^{(1)}$	-	-	V
Low-level input voltage	-	Fig.12-7	V_{IL}	-	-	$0.3*V_{DDI}^{(1)}$	V
Input Voltage Hysteresis	-	Fig.12-7	V_{HYS}	-	0.32	-	V
Input Current	$V_I = V_{DDI}^{(1)}$ or 0 V	-	I_I	-	-	± 10	μA
SWITCHING SPECIFICATIONS							
Data Rate	-	-	t_{bps}	DC	-	150	Mbps
Pulse Width	-	-	PW	6.6	-	-	ns
Propagation Delay	50 kHz, Duty=50 %, $t_r=t_f=2\text{ ns}$, $C_L=15\text{ pF}$	Fig12-9	t_{PHL} , t_{PLH}	-	12.6	21.0	ns
Pulse Width Distortion	$ t_{PHL} - t_{PLH} $	Fig12-9	PWD	-	1.0	3.0	ns
Propagation Delay Skew ⁽²⁾ (Between any two units)	-	-	t_{PSK}	-	-	10	ns
Channel Matching	Same Direction	Fig12-9	t_{skCD}	-	-	3.5	ns
	Opposing Direction	Fig12-9	t_{skOD}	-	-	3.9	
Output Rise Time	10 % - 90 %	Fig12-9	t_r	-	0.8	-	ns
Output Fall Time	90 % - 10 %	Fig12-9	t_f	-	0.8	-	ns
Enable 3-state output enable time ⁽³⁾	50 kHz, Duty=50 %, $t_r=t_f=2\text{ ns}$, $C_L=15\text{ pF}$	Fig.12-12	t_{pZL} , t_{pZH}	-	-	15.0	ns
Enable 3-state output disable time		Fig.12-12	t_{pLZ} , t_{pHZ}	-	-	18.0	ns
Common mode transient Immunity	$V_I = V_{DDI}$ or 0 V, $V_{CM}=1500\text{ V}$, $T_a=25\text{ }^\circ\text{C}$	Fig.12-15	CMTI	100	-	-	kV/ μs

1: V_{DDI} =Input-side V_{DDX} , V_{DDO} =Output-side V_{DDX}

2: Propagation delay difference (between parts) is applied under the same operating conditions. (power supply voltage, input current, temperature conditions, etc.).

3: When EN_x signal is changed from Low to High or OPEN, the output signal (V_{OX}) is valid after the output enable time. The output signal (V_{OX}) within the output enable time is undefined.

9.4. Supply Current Characteristics – 5 V Supply

All typical specifications are at $T_a=25\text{ }^\circ\text{C}$, $V_{DD1}=V_{DD2}=5\text{ V}$. Minimum/maximum specifications apply over the entire recommended operating range of $4.5\text{ V}\leq V_{DD1}\leq 5.5\text{ V}$, $4.5\text{ V}\leq V_{DD2}\leq 5.5\text{ V}$, and $-40\text{ }^\circ\text{C}\leq T_a\leq 110\text{ }^\circ\text{C}$, unless otherwise noted.

(1) DCL541x01

PARAMETER	TEST CONDITIONS	SYMBOL	MIN	TYP.	MAX	UNIT
Supply Current (DC Signal)	$V_I=0$ (DCL541L01) $V_I=1$ (DCL541H01)	$I_{DD1(Q)}$	-	3.0	4.3	mA
		$I_{DD2(Q)}$	-	4.5	6.6	mA
	$V_I=0$ (DCL541H01) $V_I=1$ (DCL541L01)	$I_{DD1(Q)}$	-	16.6	22.5	mA
		$I_{DD2(Q)}$	-	10.2	14.1	mA
1 Mbps	$f_{CLK}=500\text{ kHz}$, duty=50 % cycle square wave. $C_L=15\text{ pF}$	$I_{DD1(1)}$	-	10.0	15.5	mA
		$I_{DD2(1)}$	-	7.6	10.2	mA
25 Mbps	$f_{CLK}=12.5\text{ MHz}$, duty=50 % cycle square wave. $C_L=15\text{ pF}$	$I_{DD1(25)}$	-	12.1	18.2	mA
		$I_{DD2(25)}$	-	10.6	15.4	mA
100 Mbps	$f_{CLK}=50\text{ MHz}$, duty=50 % cycle square wave. $C_L=15\text{ pF}$	$I_{DD1(100)}$	-	17.4	24.5	mA
		$I_{DD2(100)}$	-	22.5	35.2	mA

(2) DCL542x01

PARAMETER	TEST CONDITIONS	SYMBOL	MIN	TYP.	MAX	UNIT
Supply Current (DC Signal)	$V_I=0$ (DCL542L01) $V_I=1$ (DCL541H01)	$I_{DD1(Q)}$	-	3.8	5.5	mA
		$I_{DD2(Q)}$	-	3.8	5.5	mA
	$V_I=0$ (DCL542H01) $V_I=1$ (DCL542L01)	$I_{DD1(Q)}$	-	13.4	18.3	mA
		$I_{DD2(Q)}$	-	13.4	18.3	mA
1 Mbps	$f_{CLK}=500\text{ kHz}$, duty=50 % cycle square wave. $C_L=15\text{ pF}$	$I_{DD1(1)}$	-	8.8	12.9	mA
		$I_{DD2(1)}$	-	8.8	12.9	mA
25 Mbps	$f_{CLK}=12.5\text{ MHz}$, duty=50 % cycle square wave. $C_L=15\text{ pF}$	$I_{DD1(25)}$	-	11.4	16.8	mA
		$I_{DD2(25)}$	-	11.4	16.8	mA
100 Mbps	$f_{CLK}=50\text{ MHz}$, duty=50 % cycle square wave. $C_L=15\text{ pF}$	$I_{DD1(100)}$	-	20.0	29.9	mA
		$I_{DD2(100)}$	-	20.0	29.9	mA

9.5. Supply Current Characteristics – 3.3 V Supply

All typical specifications are at $T_a=25\text{ }^\circ\text{C}$, $V_{DD1}=V_{DD2}=3.3\text{ V}$. Minimum/maximum specifications apply over the entire recommended operating range of $3.0\text{ V}\leq V_{DD1}\leq 3.6\text{ V}$, $3.0\text{ V}\leq V_{DD2}\leq 3.6\text{ V}$, and $-40\text{ }^\circ\text{C}\leq T_a\leq 110\text{ }^\circ\text{C}$, unless otherwise noted.

(1) DCL541x01

PARAMETER	TEST CONDITIONS	SYMBOL	MIN	TYP.	MAX	UNIT
Supply Current (DC Signal)	$V_I=0$ (DCL541L01) $V_I=1$ (DCL541H01)	$I_{DD1(Q)}$	-	2.9	4.1	mA
		$I_{DD2(Q)}$	-	4.4	6.5	mA
	$V_I=0$ (DCL541H01) $V_I=1$ (DCL541L01)	$I_{DD1(Q)}$	-	16.5	22.3	mA
		$I_{DD2(Q)}$	-	10.1	14.0	mA
1 Mbps	$f_{CLK}=500\text{ kHz}$, duty=50 % cycle square wave. $C_L=15\text{ pF}$	$I_{DD1(1)}$	-	9.9	14.9	mA
		$I_{DD2(1)}$	-	7.5	9.5	mA
25 Mbps	$f_{CLK}=12.5\text{ MHz}$, duty=50 % cycle square wave. $C_L=15\text{ pF}$	$I_{DD1(25)}$	-	10.8	16.6	mA
		$I_{DD2(25)}$	-	9.7	12.8	mA
100 Mbps	$f_{CLK}=50\text{ MHz}$, duty=50 % cycle square wave. $C_L=15\text{ pF}$	$I_{DD1(100)}$	-	14.5	19.9	mA
		$I_{DD2(100)}$	-	16.6	26.0	mA

(2) DCL542x01

PARAMETER	TEST CONDITIONS	SYMBOL	MIN	TYP.	MAX	UNIT
Supply Current (DC Signal)	$V_I=0$ (DCL542L01) $V_I=1$ (DCL542H01)	$I_{DD1(Q)}$	-	3.7	5.3	mA
		$I_{DD2(Q)}$	-	3.7	5.3	mA
	$V_I=0$ (DCL542H01) $V_I=1$ (DCL542L01)	$I_{DD1(Q)}$	-	13.3	18.2	mA
		$I_{DD2(Q)}$	-	13.3	18.2	mA
1 Mbps	$f_{CLK}=500\text{ kHz}$, duty=50 % cycle square wave. $C_L=15\text{ pF}$	$I_{DD1(1)}$	-	8.7	12.2	mA
		$I_{DD2(1)}$	-	8.7	12.2	mA
25 Mbps	$f_{CLK}=12.5\text{ MHz}$, duty=50 % cycle square wave. $C_L=15\text{ pF}$	$I_{DD1(25)}$	-	10.3	14.7	mA
		$I_{DD2(25)}$	-	10.3	14.7	mA
100 Mbps	$f_{CLK}=50\text{ MHz}$, duty=50 % cycle square wave. $C_L=15\text{ pF}$	$I_{DD1(100)}$	-	15.6	23.0	mA
		$I_{DD2(100)}$	-	15.6	23.0	mA

9.6. Supply Current Characteristics – 2.5 V Supply

All typical specifications are at $T_a=25\text{ }^\circ\text{C}$, $V_{DD1}=V_{DD2}=2.5\text{ V}$. Minimum/maximum specifications apply over the entire recommended operating range of $2.25\text{ V}\leq V_{DD1}\leq 2.75\text{ V}$, $2.25\text{ V}\leq V_{DD2}\leq 2.75\text{ V}$, and $-40\text{ }^\circ\text{C}\leq T_a\leq 110\text{ }^\circ\text{C}$, unless otherwise noted.

(1) DCL541x01

PARAMETER	TEST CONDITIONS	SYMBOL	MIN	TYP.	MAX	UNIT
Supply Current (DC Signal)	$V_I=0$ (DCL541L01) $V_I=1$ (DCL541H01)	$I_{DD1(Q)}$	-	2.9	4.1	mA
		$I_{DD2(Q)}$	-	4.5	6.4	mA
	$V_I=0$ (DCL541H01) $V_I=1$ (DCL541L01)	$I_{DD1(Q)}$	-	16.4	22.2	mA
		$I_{DD2(Q)}$	-	10.0	13.9	mA
1 Mbps	$f_{CLK}=500\text{ kHz}$, duty=50 % cycle square wave. $C_L=15\text{ pF}$	$I_{DD1(1)}$	-	9.8	14.8	mA
		$I_{DD2(1)}$	-	7.4	9.5	mA
25 Mbps	$f_{CLK}=12.5\text{ MHz}$, duty=50 % cycle square wave. $C_L=15\text{ pF}$	$I_{DD1(25)}$	-	10.4	16.1	mA
		$I_{DD2(25)}$	-	9.2	12.2	mA
100 Mbps	$f_{CLK}=50\text{ MHz}$, duty=50 % cycle square wave. $C_L=15\text{ pF}$	$I_{DD1(100)}$	-	13.1	18.2	mA
		$I_{DD2(100)}$	-	14.3	24.1	mA

(2) DCL542x01

PARAMETER	TEST CONDITIONS	SYMBOL	MIN	TYP.	MAX	UNIT
Supply Current (DC Signal)	$V_I=0$ (DCL542L01) $V_I=1$ (DCL541H01)	$I_{DD1(Q)}$	-	3.7	5.3	mA
		$I_{DD2(Q)}$	-	3.7	5.3	mA
	$V_I=0$ (DCL542H01) $V_I=1$ (DCL542L01)	$I_{DD1(Q)}$	-	13.2	18.1	mA
		$I_{DD2(Q)}$	-	13.2	18.1	mA
1 Mbps	$f_{CLK}=500\text{ kHz}$, duty=50 % cycle square wave. $C_L=15\text{ pF}$	$I_{DD1(1)}$	-	8.6	12.2	mA
		$I_{DD2(1)}$	-	8.6	12.2	mA
25 Mbps	$f_{CLK}=12.5\text{ MHz}$, duty=50 % cycle square wave. $C_L=15\text{ pF}$	$I_{DD1(25)}$	-	9.8	14.2	mA
		$I_{DD2(25)}$	-	9.8	14.2	mA
100 Mbps	$f_{CLK}=50\text{ MHz}$, duty=50 % cycle square wave. $C_L=15\text{ pF}$	$I_{DD1(100)}$	-	13.7	21.2	mA
		$I_{DD2(100)}$	-	13.7	21.2	mA

10. Insulation Specifications

PARAMETER	Symbol	TEST CONDITIONS	VALUE	UNIT
Minimum External Clearance	CLR	Shortest terminal-to-terminal distance through air	8	mm
Minimum External Creepage	CPG	Shortest terminal-to-terminal distance across the package surface	8	mm
Distance Through The Insulation	DTI	Minimum internal gap	17	μm
Comparative Tracking Index	CTI		400	V
Material Group	-	According to IEC 60664-1	II	-
Overvoltage Category Per IEC 60664-1	-	Related Mains Voltage ≤ 300 V _{rms}	I-IV	-
	-	Related Mains Voltage ≤ 600 V _{rms}	I-IV	-
	-	Related Mains Voltage ≤ 1000 V _{rms}	I-III	-
DIN EN IEC 60747-17; (VDE 0884-17)				
Maximum Repetitive Peak Isolation Voltage	V _{IORM}	AC voltage (bipolar)	1414	V _{PK}
Maximum Transient Isolation Voltage	V _{IOTM}	V _{TEST} = V _{IOTM} , t = 60 s (qualification) , V _{TEST} = 1.2 x V _{IOTM} , t = 1 s (100 % production)	8000	V _{PK}
Maximum Impulse Voltage	V _{IMP}	IEC 61000-4-5 1.2/50 μs waveform	8000	V _{PK}
Maximum surge isolation voltage	V _{IOSM}	Test method per IEC 61000-4-5, 1.2/50 μs waveform, V _{IOSM} ≥ 1.3 x V _{IMP} (qualification)	12800	V _{PK}
Apparent charge measuring voltage	V _{pd(m)}	Method A, After Input/Output safety test subgroup2&3, V _{ini,a} =V _{IOTM} , V _{pd(m)} =1.2 x V _{IORM} t _{ini} = 60 s, t _m = 10 s, partial discharge < 5 pC	1697	V _{PK}
		Method A, After environmental tests subgroup 1, V _{ini,a} =V _{IOTM} , V _{pd(m)} =1.6 x V _{IORM} t _{ini} = 60 s, t _m = 10 s, partial discharge < 5 pC	2263	
		Method B1; At routine test (100 % production) and preconditioning (type test) V _{ini,b} ≥ 1.2 x V _{IOTM} , V _{pd(m)} =1.875 x V _{IORM} t _{ini,b} = 1 s, t _m = 1 s partial discharge < 5 pC	2652	
Barrier capacitance, input to output	C _{IO}	f = 1 MHz	1.5	pF
Input Capacitance	C _I	V _{IX}	1.8	pF
Isolation Resistance	R _{IO}	V _{IO} = 500 V, T _A = 25 °C	>10 ¹²	Ω
		V _{IO} = 500 V, 100 °C ≤ T _A ≤ 110 °C	>10 ¹¹	
		V _{IO} = 500 V at T _S = 150 °C	>10 ⁹	
Pollution Degree	-	-	2	-
Climatic Category	-	-	40/110/21	-
UL 1577				
Maximum Withstanding Isolation Voltage	V _{ISO}	V _{TEST} = V _{ISO} , t = 60 s (qualification), V _{TEST} = 1.2 x V _{ISO} , t = 1 s (100 % production)	5000	V _{rms}

11. Safety Limiting Values

PARAMETER	Symbol	TEST CONDITIONS	Value	Unit
Safety Input, Output Or Supply Current	I _S	V _{DD1} =V _{DD2} =5.5 V, T _J =150 °C, T _a =25 °C	284	mA
		V _{DD1} =V _{DD2} =3.6 V, T _J =150 °C, T _a =25 °C	434	mA
		V _{DD1} =V _{DD2} =2.75 V, T _J =150 °C, T _a =25 °C	568	mA
Safety Input, Output Or Total Power	P _S	T _J =150 °C, T _a =25 °C	1562	mW
Maximum Safety Temperature	T _S	-	150	°C

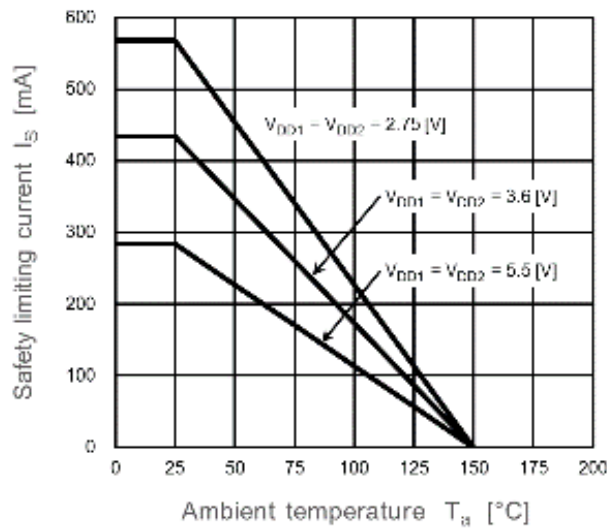


Fig. 11-1: Thermal Derating Curve for Safety Limiting Current - T_a

12. Test Circuit

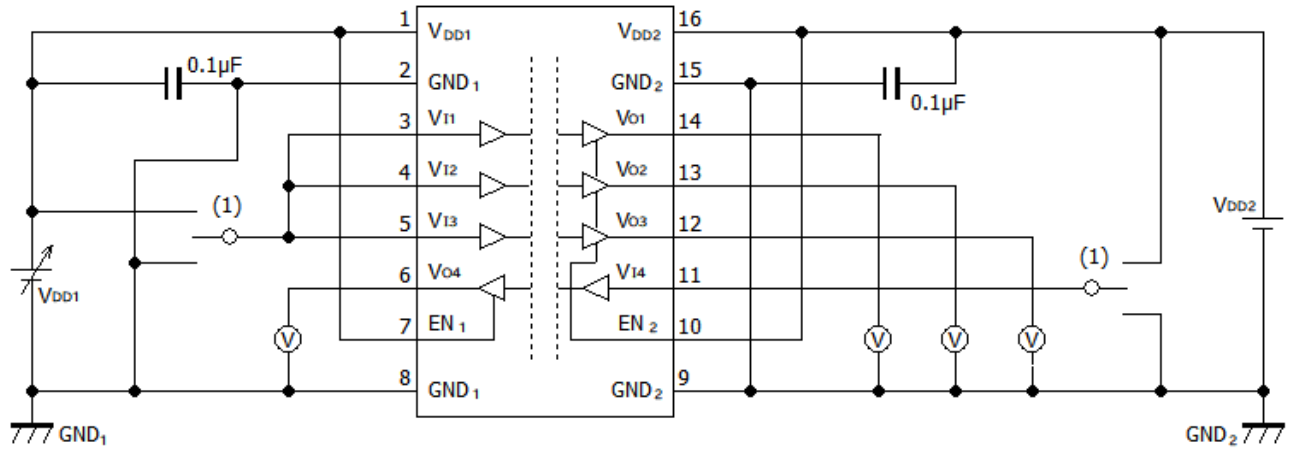


Fig. 12-1: DCL541L01/DCL541H01 V_{DD1UV+}/V_{DD1UV-} Test Circuit

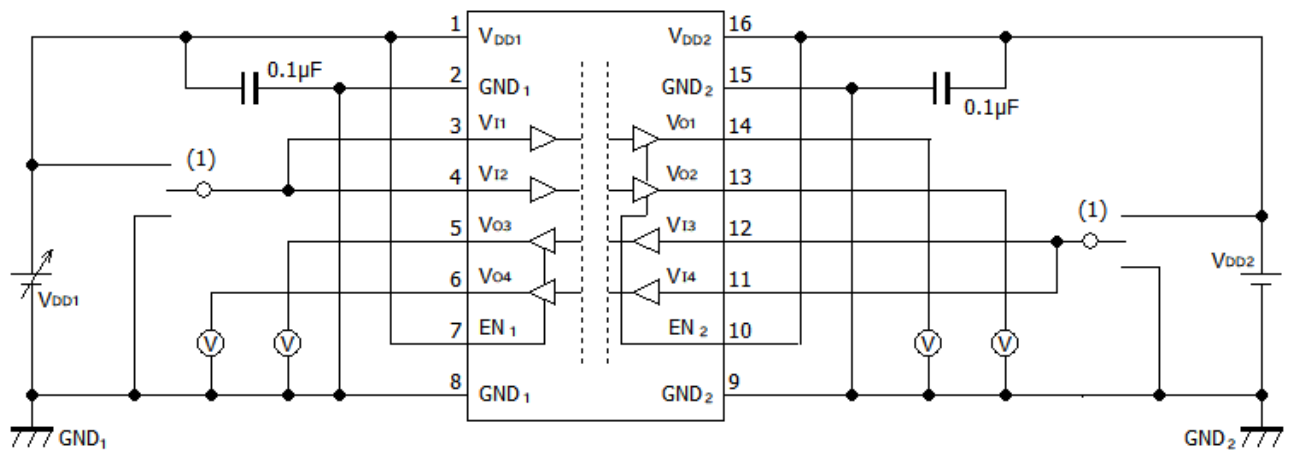


Fig. 12-2: DCL542L01/DCL542H01 V_{DD1UV+}/V_{DD1UV-} Test Circuit

1: Default=L : V_{DDx} , Default=H : GND_x

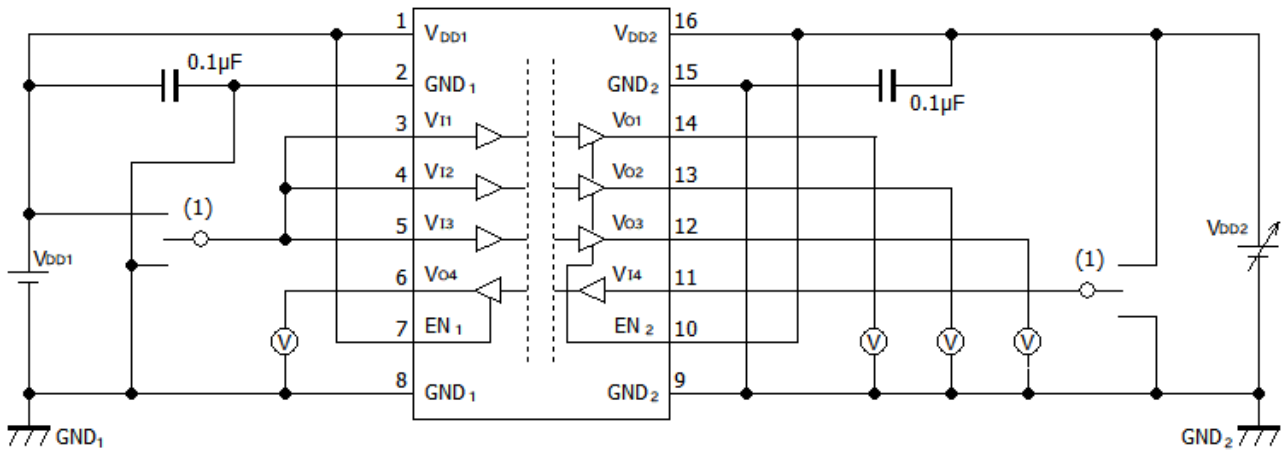


Fig. 12-3: DCL541L01/DCL541H01 V_{DD2UV+/-} V_{DD2UV-}Test Circuit

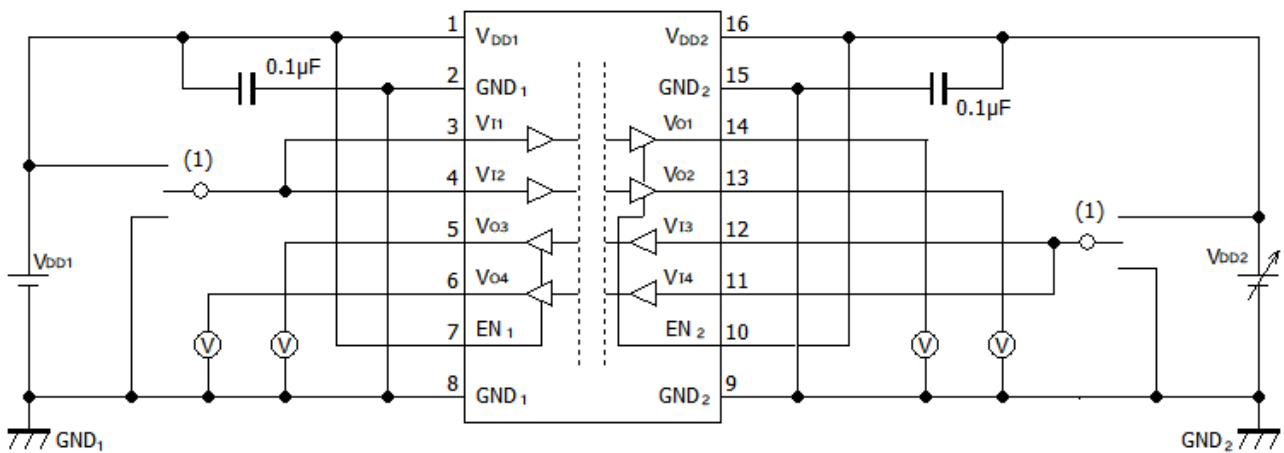


Fig. 12-4: DCL542L01/DCL542H01 V_{DD2UV+/-} V_{DD2UV-}Test Circuit

1: Default=L : VDD_x , Default=H : GND_x

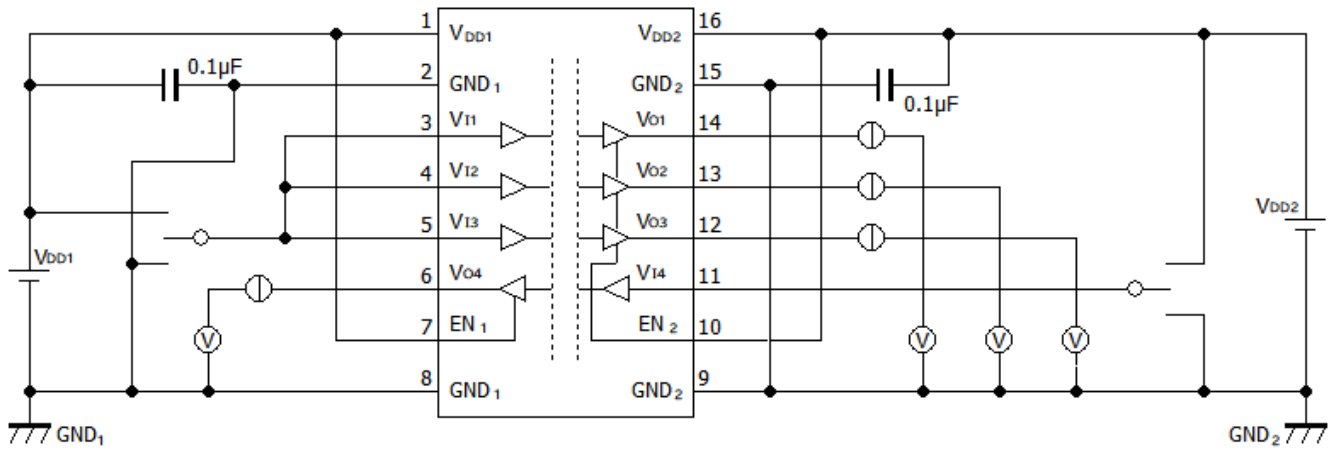


Fig. 12-5: DCL541L01/DCL541H01 VOH/VOL Test Circuit

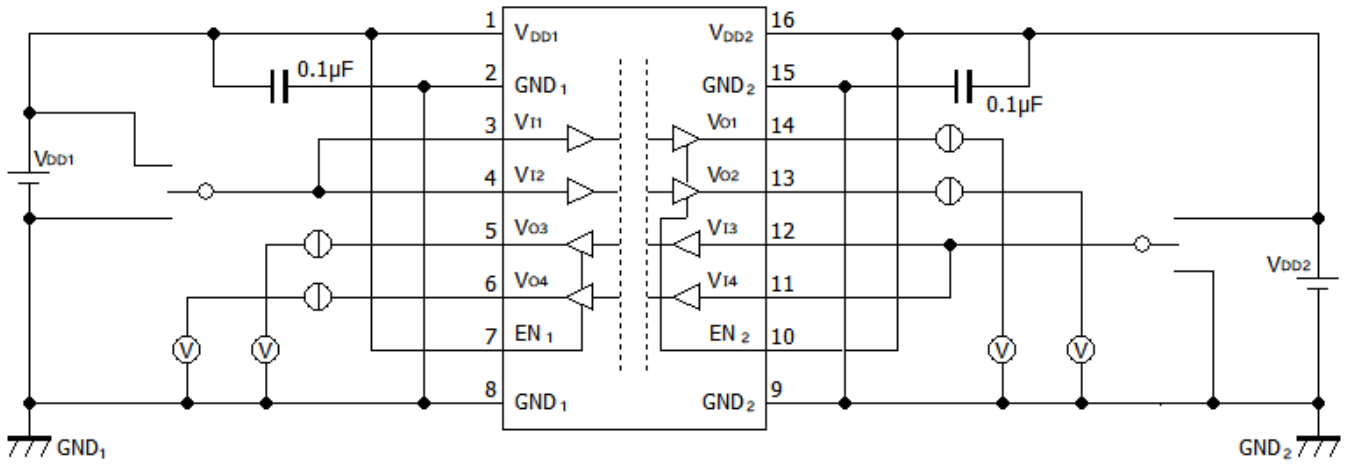


Fig. 12-6: DCL542L01/DCL542H01 VOH/VOL Test Circuit

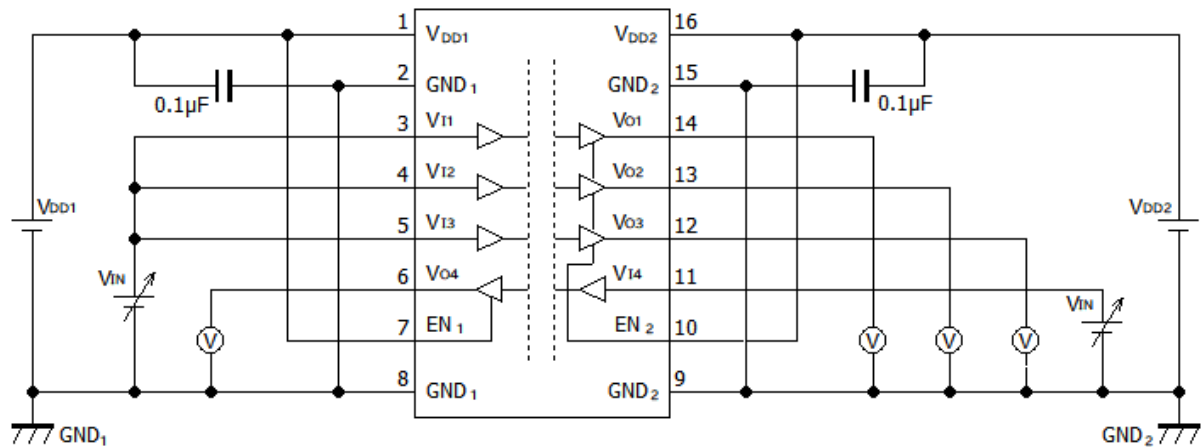


Fig. 12-7: DCL541L01/DCL541H01 V_{IH}/V_{IL} Test Circuit

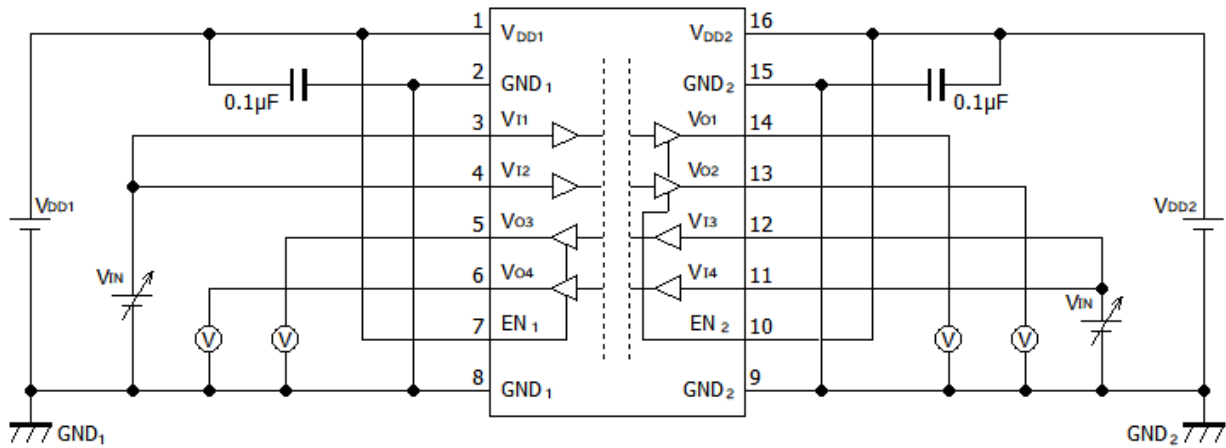


Fig. 12-8: DCL542L01/DCL542H01 V_{IH}/V_{IL} Test Circuit

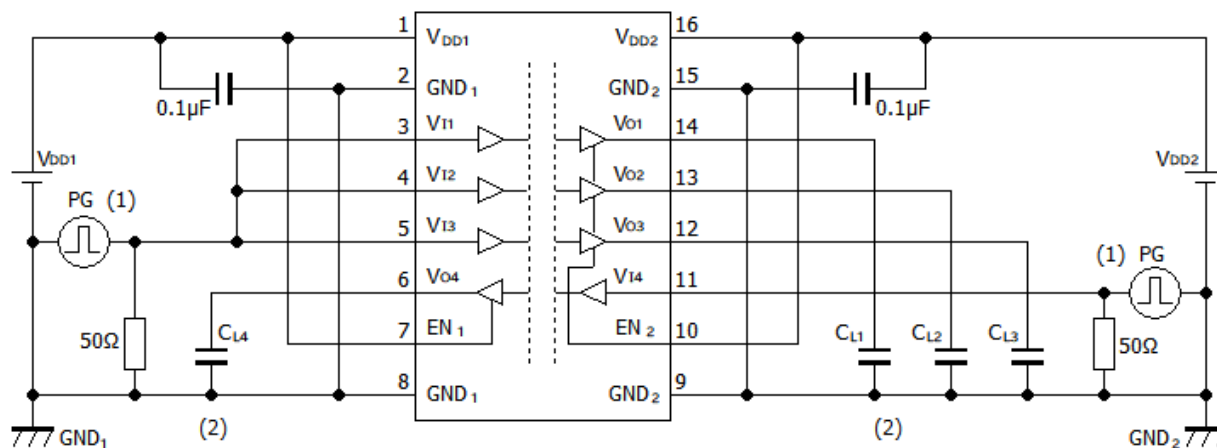


Fig. 12-9: DCL541L01/DCL541H01 Switching Test Circuit

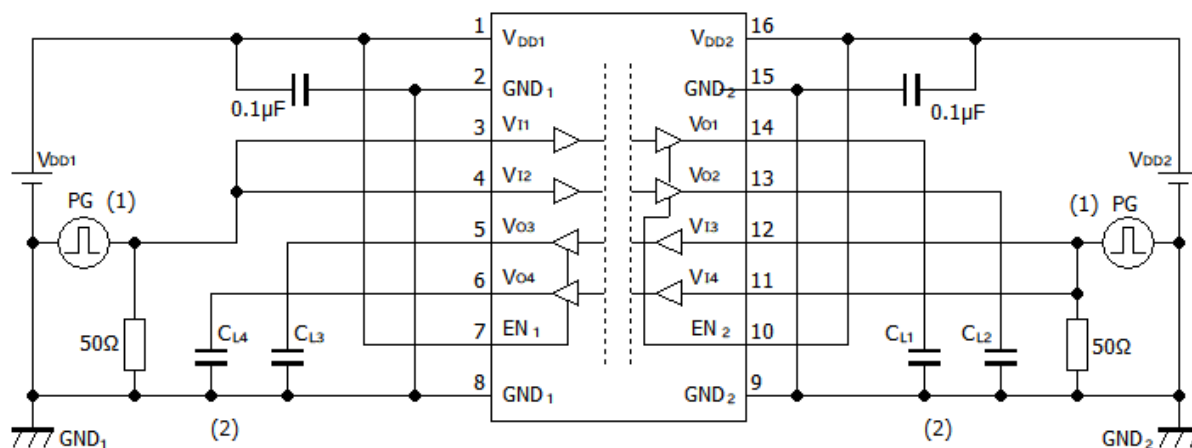


Fig. 12-10: DCL542L01/DCL542H01 Switching Test Circuit

- 1: The input pulse is supplied by a generator having the following characteristics: PRR≤50 kHz, 50 % duty cycle, $t_r \leq 2$ ns, $t_f \leq 2$ ns, $Z_o = 50 \Omega$. At the input, 50 Ω resistor is required to terminate input generator signal. It is needed not in actual application.
- 2: $C_{Lx} = 15$ pF includes instrumentation and fixture capacitance.

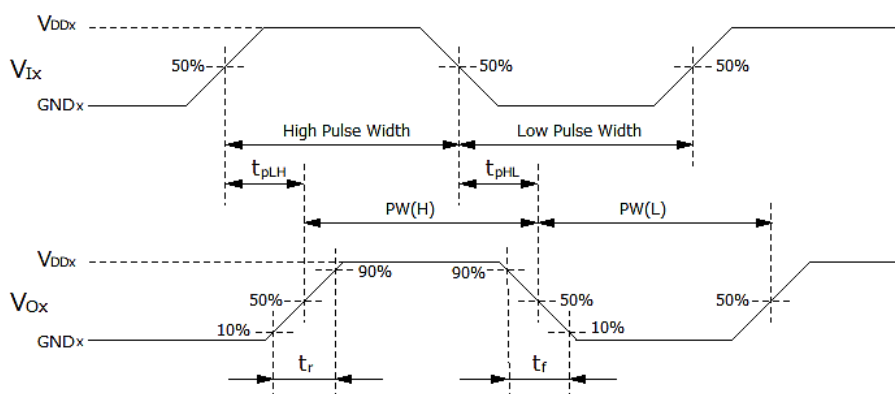


Fig. 12-11: Switching Waveforms

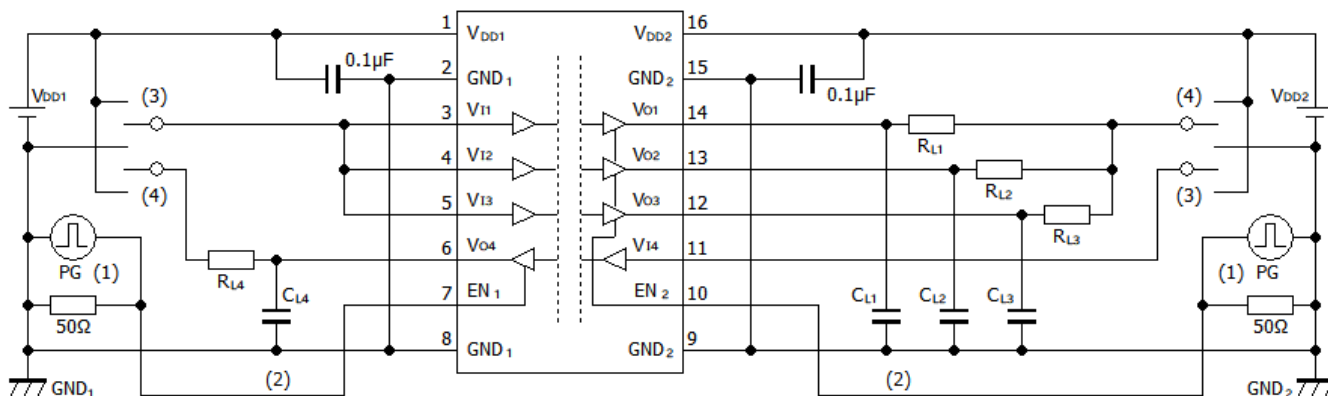


Fig. 12-12: DCL541L01/DCL541H01 Enable Propagation Delay Time Test Circuit

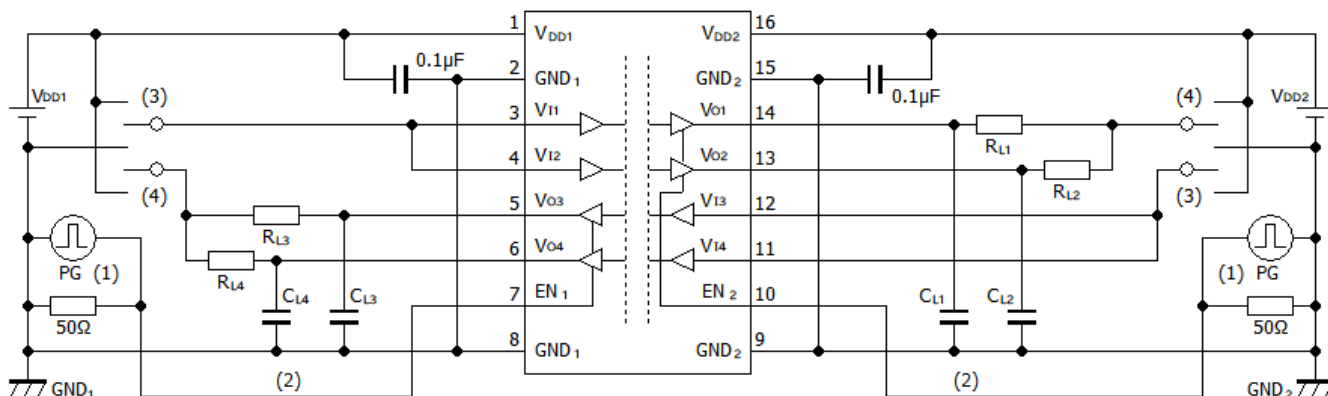


Fig. 12-13: DCL542L01/DCL542H01 Enable Propagation Delay Time Test Circuit

- 1: The input pulse is supplied by a generator having the following characteristics: PRR≤50 kHz, 50 % duty cycle, $t_r \leq 2$ ns, $t_f \leq 2$ ns, $Z_o = 50 \Omega$. At the input, 50 Ω resistor is required to terminate input generator signal. It is needed not in actual application.
- 2: $C_{LX} = 15$ pF includes instrumentation and fixture capacitance.
- 3: GND for t_{pZL} , t_{pLZ} , V_{DD} for t_{pZH} , t_{pHZ}
- 4: V_{DD} for t_{pZL} , t_{pLZ} , GND for t_{pZH} , t_{pHZ} .

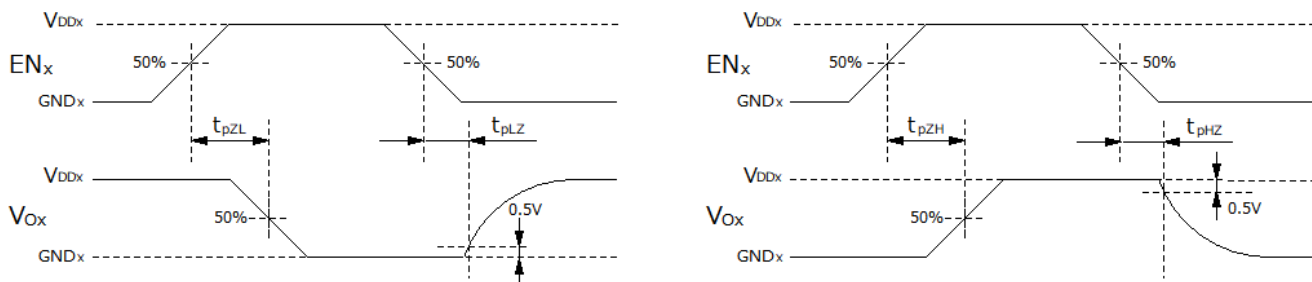


Fig. 12-14: DCL54xL01/DCL54xH01 Enable Propagation Delay Time Waveforms

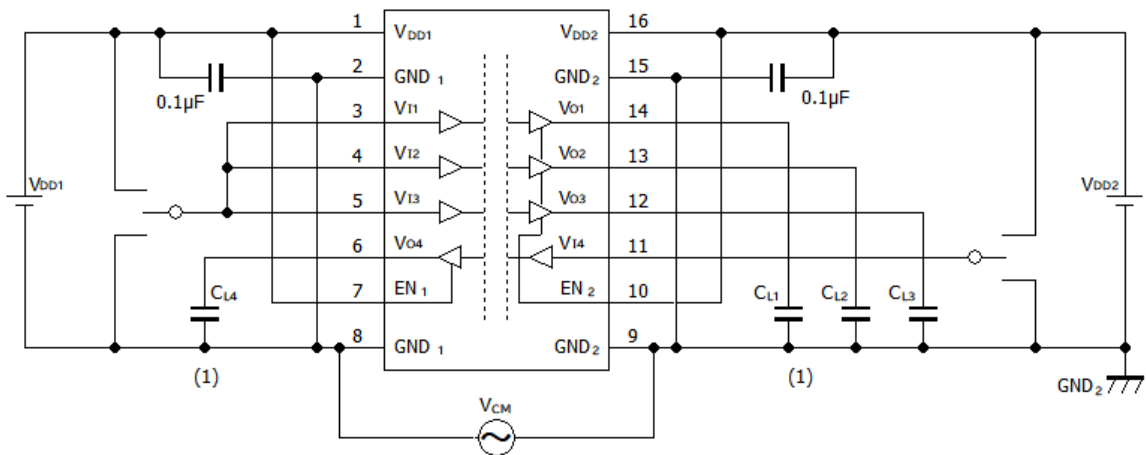


Fig. 12-15: DCL541L01/DCL541H01 Common-Mode Transient Immunity Test Circuit

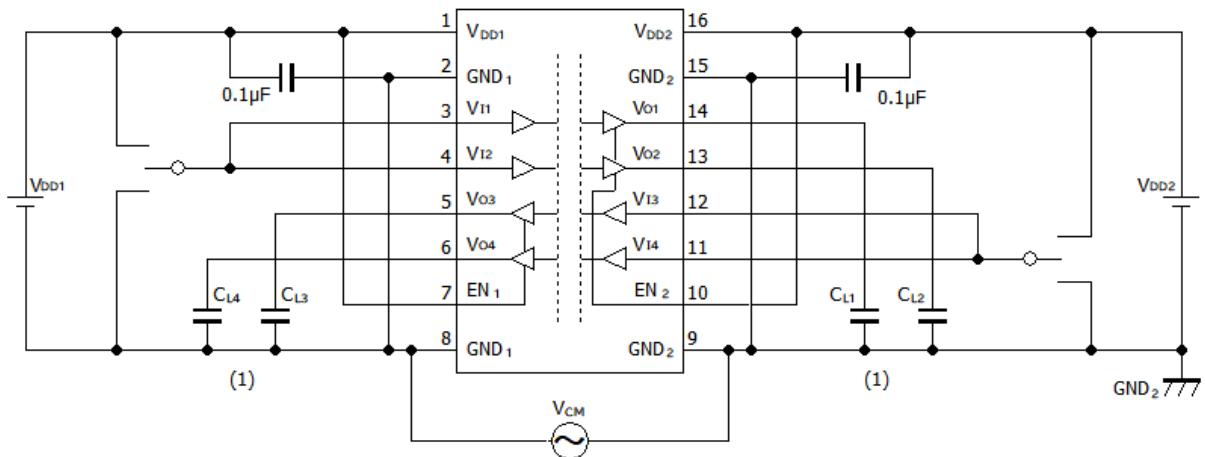


Fig. 12-16: DCL542L01/DCL542H01 Common-Mode Transient Immunity Test Circuit

- 1: $C_{LX}=15$ pF includes instrumentation and fixture capacitance.
- 2: Apply VCM with reference to the GND terminal on the output terminal side of the IC. The GND on the IC input terminal side is isolated from the output terminal side. Depending on which channel is being measured, VCM may be applied with reference to GND₁ or with reference to GND₂.

13. Characteristics Curves

Note: The following characteristics curves are presented for reference only and not guaranteed by production test, unless otherwise noted.

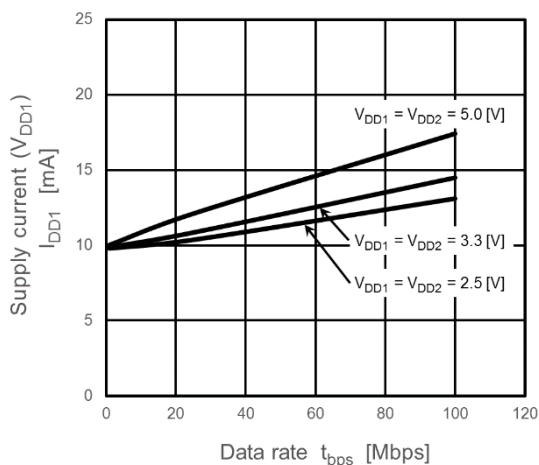


Fig. 13-1: DCL541x01 I_{DD1} Supply Current - Data rate

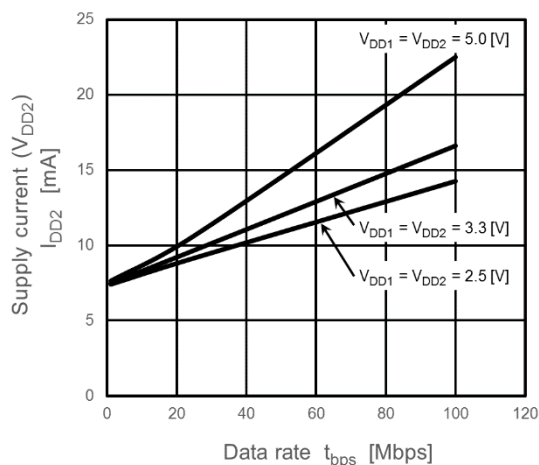


Fig. 13-2: DCL541x01 I_{DD2} Supply Current - Data rate

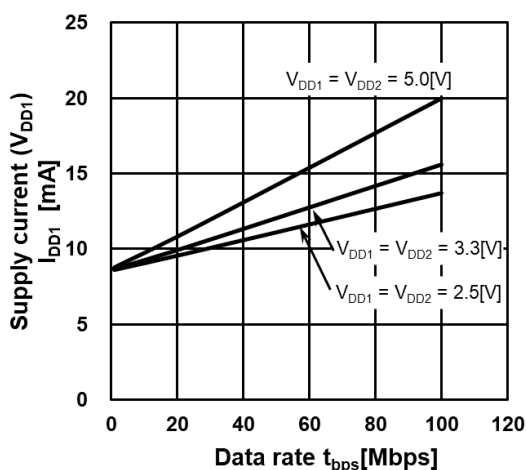


Fig. 13-3: DCL542x01 I_{DD1} Supply Current - Data rate

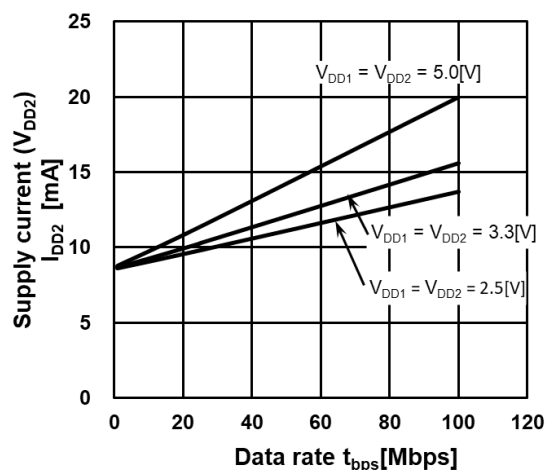


Fig. 13-4: DCL542x01 I_{DD2} Supply Current - Data rate

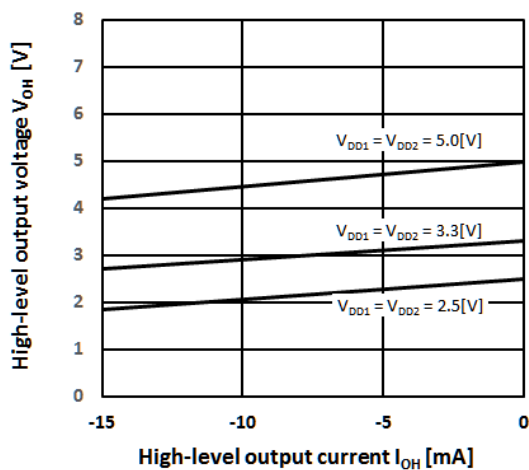


Fig. 13-5: V_{OH} - I_{OH}

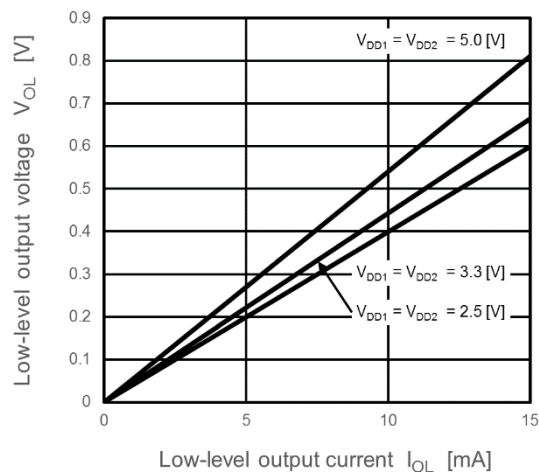


Fig. 13-6: V_{OL} - I_{OL}

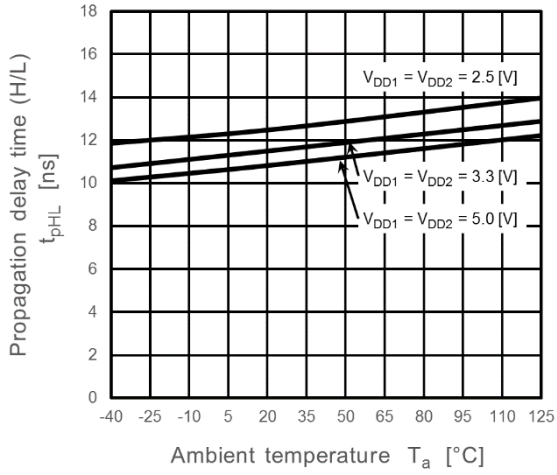


Fig. 13-7: Propagation Delay Time t_{pHL} - T_a

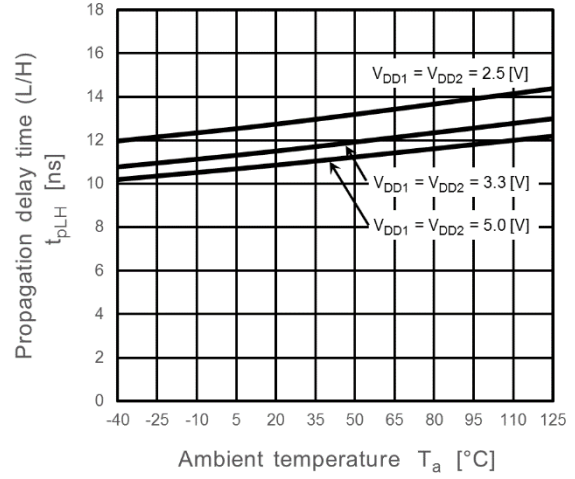


Fig. 13-8: Propagation Delay Time t_{pLH} - T_a

14. Application Note

14.1. Eye diagram

The following figure shows typical eye diagrams of DCL541x01 at the maximum data rate of 150Mbps with pseudorandom bit sequences (PRBS), supply voltage 3.3V for reference only.

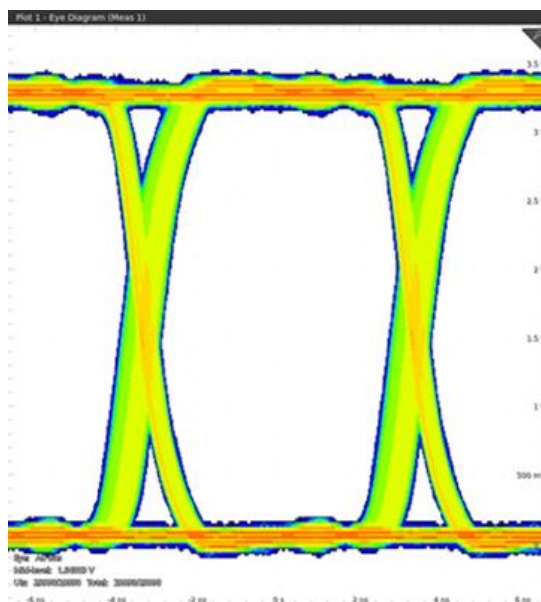


Fig. 14-1:DCL541L01 Eye diagram at 150Mbps

14.2. PCB layout

A ceramic capacitor (0.1 μ F) should be connected between pin 1 (V_{DD1}) and pin 2 (GND_1) for V_{DD1} and between pin 16 (V_{DD2}) and pin 15 (GND_2) for V_{DD2} , and it should be the layout on the IC as close as possible (less than 10mm). Otherwise, the IC may not operate properly.

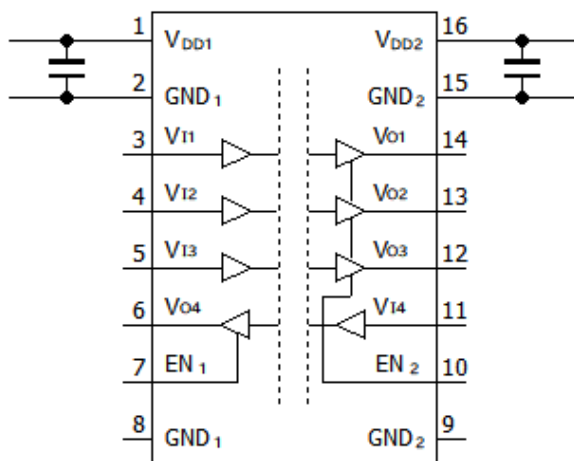


Fig. 14-2:Recommended Printed Circuit Board Layout

15. Package Information

Implementation category	Surface Mount
Pin Number	16
Weight (g)	0.426 (Typ.)
Package Dimension Width × Length × Height (mm)	10.3 × 10.0 × 2.45 (Typ.)

Package Dimension

Top view dimensions: 10.3 ± 0.2 (width), 10 ± 0.2 (length), 7.5 ± 0.2 (height from top edge to center of pins), 1.27 ± 0.15 (pin pitch), 0.38 ± 0.1 (pin width), 0.1 (pin height), 0.65 ± 0.15 (land width), 0.1 (land thickness), 0.1 (land height), 0.8 (land width), 1.3 (land length), 9.5 (land length), 1.27 (land pitch).

Side view dimensions: 2.45 ± 0.1 (height), 0.1 (height), 0.65 ± 0.15 (width), 0.1 (height).

Land Pattern Dimensions (for reference only)

Package Dimension(mm)
/
Land Pattern Example
(mm)

RESTRICTIONS ON PRODUCT USE

Toshiba Corporation and its subsidiaries and affiliates are collectively referred to as "TOSHIBA". Hardware, software and systems described in this document are collectively referred to as "Product".

- TOSHIBA reserves the right to make changes to the information in this document and related Product without notice.
- This document and any information herein may not be reproduced without prior written permission from TOSHIBA. Even with TOSHIBA's written permission, reproduction is permissible only if reproduction is without alteration/omission.
- Though TOSHIBA works continually to improve Product's quality and reliability, Product can malfunction or fail. Customers are responsible for complying with safety standards and for providing adequate designs and safeguards for their hardware, software and systems which minimize risk and avoid situations in which a malfunction or failure of Product could cause loss of human life, bodily injury or damage to property, including data loss or corruption. Before customers use the Product, create designs including the Product, or incorporate the Product into their own applications, customers must also refer to and comply with (a) the latest versions of all relevant TOSHIBA information, including without limitation, this document, the specifications, the data sheets and application notes for Product and the precautions and conditions set forth in the "TOSHIBA Semiconductor Reliability Handbook" and (b) the instructions for the application with which the Product will be used with or for. Customers are solely responsible for all aspects of their own product design or applications, including but not limited to (a) determining the appropriateness of the use of this Product in such design or applications; (b) evaluating and determining the applicability of any information contained in this document, or in charts, diagrams, programs, algorithms, sample application circuits, or any other referenced documents; and (c) validating all operating parameters for such designs and applications. **TOSHIBA ASSUMES NO LIABILITY FOR CUSTOMERS' PRODUCT DESIGN OR APPLICATIONS.**
- **PRODUCT IS NEITHER INTENDED NOR WARRANTED FOR USE IN EQUIPMENTS OR SYSTEMS THAT REQUIRE EXTRAORDINARILY HIGH LEVELS OF QUALITY AND/OR RELIABILITY, AND/OR A MALFUNCTION OR FAILURE OF WHICH MAY CAUSE LOSS OF HUMAN LIFE, BODILY INJURY, SERIOUS PROPERTY DAMAGE AND/OR SERIOUS PUBLIC IMPACT ("UNINTENDED USE").** Except for specific applications as expressly stated in this document, Unintended Use includes, without limitation, equipment used in nuclear facilities, equipment used in the aerospace industry, lifesaving and/or life supporting medical equipment, equipment used for automobiles, trains, ships and other transportation, traffic signaling equipment, equipment used to control combustions or explosions, safety devices, elevators and escalators, and devices related to power plant. **IF YOU USE PRODUCT FOR UNINTENDED USE, TOSHIBA ASSUMES NO LIABILITY FOR PRODUCT.** For details, please contact your TOSHIBA sales representative or contact us via our website.
- Do not disassemble, analyze, reverse-engineer, alter, modify, translate or copy Product, whether in whole or in part.
- Product shall not be used for or incorporated into any products or systems whose manufacture, use, or sale is prohibited under any applicable laws or regulations.
- The information contained herein is presented only as guidance for Product use. No responsibility is assumed by TOSHIBA for any infringement of patents or any other intellectual property rights of third parties that may result from the use of Product. No license to any intellectual property right is granted by this document, whether express or implied, by estoppel or otherwise.
- **ABSENT A WRITTEN SIGNED AGREEMENT, EXCEPT AS PROVIDED IN THE RELEVANT TERMS AND CONDITIONS OF SALE FOR PRODUCT, AND TO THE MAXIMUM EXTENT ALLOWABLE BY LAW, TOSHIBA (1) ASSUMES NO LIABILITY WHATSOEVER, INCLUDING WITHOUT LIMITATION, INDIRECT, CONSEQUENTIAL, SPECIAL, OR INCIDENTAL DAMAGES OR LOSS, INCLUDING WITHOUT LIMITATION, LOSS OF PROFITS, LOSS OF OPPORTUNITIES, BUSINESS INTERRUPTION AND LOSS OF DATA, AND (2) DISCLAIMS ANY AND ALL EXPRESS OR IMPLIED WARRANTIES AND CONDITIONS RELATED TO SALE, USE OF PRODUCT, OR INFORMATION, INCLUDING WARRANTIES OR CONDITIONS OF MERCHANTABILITY, FITNESS FOR A PARTICULAR PURPOSE, ACCURACY OF INFORMATION, OR NONINFRINGEMENT.**
- Do not use or otherwise make available Product or related software or technology for any military purposes, including without limitation, for the design, development, use, stockpiling or manufacturing of nuclear, chemical, or biological weapons or missile technology products (mass destruction weapons). Product and related software and technology may be controlled under the applicable export laws and regulations including, without limitation, the Japanese Foreign Exchange and Foreign Trade Law and the U.S. Export Administration Regulations. Export and re-export of Product or related software or technology are strictly prohibited except in compliance with all applicable export laws and regulations.
- Please contact your TOSHIBA sales representative for details as to environmental matters such as the RoHS compatibility of Product. Please use Product in compliance with all applicable laws and regulations that regulate the inclusion or use of controlled substances, including without limitation, the EU RoHS Directive. **TOSHIBA ASSUMES NO LIABILITY FOR DAMAGES OR LOSSES OCCURRING AS A RESULT OF NONCOMPLIANCE WITH APPLICABLE LAWS AND REGULATIONS.**

Mouser Electronics

Authorized Distributor

Click to View Pricing, Inventory, Delivery & Lifecycle Information:

[Toshiba:](#)

[DCL542L01\(T,E\(O](#)