

UCC21550x 4A, 6A, Reinforced Isolation Dual-Channel Gate Driver

1 Features

- Universal: dual low-side, dual high-side or halfbridge driver
- Junction temperature range -40 to $+150^{\circ}\text{C}$
- Up to 4A peak source and 6A peak sink output
- Common-mode transient immunity (CMTI) greater than 125V/ns
- Up to 25V VDD output drive supply
 - 5V, 8V, 12V VDD UVLO options
- Switching parameters:
 - 33ns typical propagation delay
 - 5ns maximum pulse-width distortion
 - 10 μs maximum VDD power-up delay
- UVLO protection for all power supplies
- Fast disable for power sequencing

2 Applications

- On-board battery chargers
- High-voltage DC-DC converters
- Automotive HVAC, body electronics

3 Description

The UCC21550 is an isolated dual channel gate driver family with programmable dead time and wide temperature range. It is designed with 4A peak-source and 6A peak-sink current to drive power MOSFET, SiC, GaN, and IGBT transistors.

The UCC21550 can be configured as two low-side drivers, two high-side drivers, or a half-bridge driver. The input side is isolated from the two output drivers by a 5kV_{RMS} isolation barrier, with a minimum of 125V/ns common-mode transient immunity (CMTI).

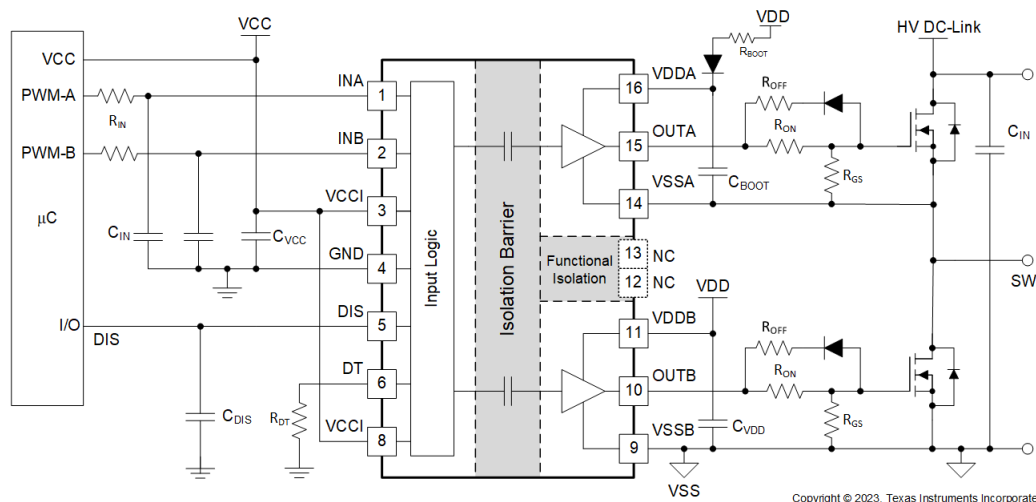
Protection features include: resistor programmable dead time, disable feature to shut down both outputs simultaneously, and integrated de-glitch filter that rejects input transients shorter than 5ns. All supplies have UVLO protection.

With all these advanced features, the UCC21550 device enables high efficiency, high power density, and robustness in a wide variety of power applications.

Device Information

PART NUMBER	PACKAGE ⁽¹⁾	REC. VDD SUPPLY MIN
UCC21550ADWR	DW (SOIC, 16)	6.5V
UCC21550BDWR	DW (SOIC, 16)	9.2V
UCC21550ADWKR	DWK (SOIC, 14)	6.5V
UCC21550BDWKR	DWK (SOIC, 14)	9.2V
UCC21550CDWKR	DWK (SOIC, 14)	13.5V

(1) For all available packages, see the orderable addendum at the end of the data sheet.



Typical Application Schematic



Table of Contents

1 Features	1	7.1 Overview.....	21
2 Applications	1	7.2 Functional Block Diagram.....	21
3 Description	1	7.3 Feature Description.....	22
4 Pin Configuration and Functions	3	7.4 Device Functional Modes.....	25
5 Specifications	5	8 Application and Implementation	27
5.1 Absolute Maximum Ratings.....	5	8.1 Application Information.....	27
5.2 ESD Ratings.....	5	8.2 Typical Application.....	27
5.3 Recommended Operating Conditions.....	5	9 Power Supply Recommendations	38
5.4 Thermal Information.....	5	10 Layout	39
5.5 Power Ratings.....	6	10.1 Layout Guidelines.....	39
5.6 Insulation Specifications.....	7	10.2 Layout Example.....	40
5.7 Safety Limiting Values.....	8	11 Device and Documentation Support	42
5.8 Electrical Characteristics.....	9	11.1 Device Support.....	42
5.9 Switching Characteristics.....	10	11.2 Documentation Support.....	42
5.10 Insulation Characteristics Curves.....	11	11.3 Certifications.....	42
5.11 Typical Characteristics.....	13	11.4 Receiving Notification of Documentation Updates..	42
6 Parameter Measurement Information	18	11.5 Support Resources.....	42
6.1 Propagation Delay and Pulse Width Distortion.....	18	11.6 Trademarks.....	42
6.2 Rising and Falling Time.....	18	11.7 Electrostatic Discharge Caution.....	42
6.3 Input and Disable Response Time.....	18	11.8 Glossary.....	42
6.4 Programmable Dead Time.....	19	12 Revision History	43
6.5 Power-up UVLO Delay to OUTPUT.....	19	13 Mechanical, Packaging, and Orderable Information	43
6.6 CMTI Testing.....	20		
7 Detailed Description	21		

4 Pin Configuration and Functions

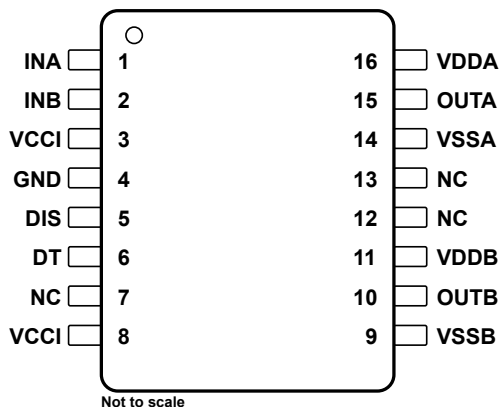


Figure 4-1. DW Package 16-Pin SOIC Top View

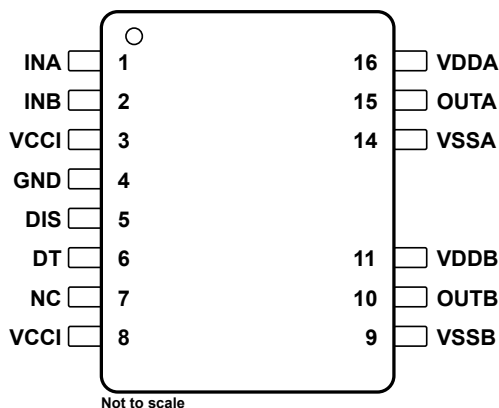


Figure 4-2. DWK Package 14-Pin SOIC Top View

Table 4-1. Pin Functions

PIN		TYPE ⁽¹⁾	DESCRIPTION
NAME	NO.		
DIS	5	I	Disable both driver outputs if asserted high, enable both outputs if set low. It is recommended to tie this pin to ground if not used to achieve better noise immunity. This pin is internally pulled high if left floating. It is recommended to use an RC filter on DIS pin to filter high frequency noise when connecting to a microcontroller, with R = 0 Ω to 100 Ω and C = 100 pF to 1000 pF.
DT	6	I	DT pin configurations: <ul style="list-style-type: none"> DT pin float or short to VCCI disables dead time interlock function (allows outputs to overlap) Place 1.7-kΩ to 100-kΩ resistor (RDT) between DT and GND to set minimum dead time between driver outputs Place 0-Ω to 150-Ω resistor, or short DT pin to GND to have two outputs interlocked TI does not recommend bypassing this pin with a ceramic capacitor >1nF
GND	4	G	Primary-side ground reference. All signals in the primary side are referenced to this ground.
INA	1	I	Input signal for A channel. INA input has a TTL/CMOS compatible input threshold. This pin is pulled low internally if left open. It is recommended to use an RC filter on INA to filter high frequency noise, with R = 10 Ω to 100 Ω and C = 10 pF to 100 pF.
INB	2	I	Input signal for B channel. INB input has a TTL/CMOS compatible input threshold. This pin is pulled low internally if left open. It is recommended to use an RC filter on INB to filter high frequency noise, with R = 10 Ω to 100 Ω and C = 10 pF to 100 pF.
NC	7	–	No Internal connection.

Table 4-1. Pin Functions (continued)

PIN		TYPE ⁽¹⁾	DESCRIPTION
NAME	NO.		
NC	12	–	No internal connection.
NC	13	–	No internal connection.
OUTA	15	O	Output of driver A. Connect to the gate of the A channel transistor through a gate resistor.
OUTB	10	O	Output of driver B. Connect to the gate of the B channel transistor through a gate resistor.
VCCI	3	P	Primary-side supply voltage. Locally decouple to GND using a low ESR/ESL capacitor located as close to the device as possible.
VCCI	8	P	Primary-side supply voltage. This pin is internally shorted to pin 3.
VDDA	16	P	Secondary-side power for driver A. Locally decouple to VSSA using a low ESR/ESL capacitor located as close to the device as possible.
Vddb	11	P	Secondary-side power for driver B. Locally decouple to VSSB using low ESR/ESL capacitor located as close to the device as possible.
VSSA	14	G	Ground reference for secondary side A channel.
VSSB	9	G	Ground reference for secondary side B channel.

(1) P = Power, G = Ground, I = Input, O = Output

5 Specifications

5.1 Absolute Maximum Ratings

over operating free-air temperature range (unless otherwise noted)⁽¹⁾

		MIN	MAX	UNIT
V _{CCI} to GND	Input bias supply voltage	-0.3	6	V
V _{DDA} , V _{ddb} to V _{SS}	Output bias supply voltage	-0.3	30	V
O _{UTA} to V _{SSA} , O _{UTB} to V _{SSB}	Output signal DC voltage	-0.3	V _{DDA/B} + 0.3	V
	Output signal transient voltage for 200-ns	-2	V _{DDA/B} + 0.3	V
INA, INB to GND P _{WM} to GND	Input signal DC voltage	-0.3	V _{CCI} + 0.3 ⁽²⁾	V
DT, DIS to GND		-0.3	V _{CCI} + 0.3 ⁽²⁾	V
Channel to channel isolation voltage	V _{SSA} -V _{SSB} in DWK package		1850	V
T _J	Junction temperature	-40	150	°C
T _{stg}	Storage temperature	-65	150	°C

- (1) Stresses beyond those listed under *Absolute Maximum Rating* may cause permanent damage to the device. These are stress ratings only, which do not imply functional operation of the device at these or any other conditions beyond those indicated under *Recommended Operating Condition*. Exposure to absolute-maximum-rated conditions for extended periods may affect device reliability.
- (2) Maximum voltage must not exceed 6 V.

5.2 ESD Ratings

			VALUE	UNIT
V _(ESD)	Electrostatic discharge	Human body model (HBM), per ANSI/ESDA/JEDEC JS-001, all pins ⁽¹⁾	±2000	V
		Charged device model (CDM), per JEDEC specification JESD22-C101, all pins ⁽²⁾	±1000	

- (1) JEDEC document JEP155 states that 500-V HBM allows safe manufacturing with a standard ESD control process.
- (2) JEDEC document JEP157 states that 250-V CDM allows safe manufacturing with a standard ESD control process.

5.3 Recommended Operating Conditions

over operating free-air temperature range (unless otherwise noted)

		MIN	NOM	MAX	UNIT
V _{CCI}	Input bias pin supply voltage	3.0		5.5	V
V _{DDA} , V _{ddb}	UCC21550A - 5V UVLO Output bias supply voltage, V _{DDA} -V _{SSA} , V _{ddb} -V _{ddb}	6.5		25	V
V _{DDA} , V _{ddb}	UCC21550B - 8V UVLO Output bias supply voltage, V _{DDA} -V _{SSA} , V _{ddb} -V _{ddb}	9.2		25	V
V _{DDA} , V _{ddb}	UCC21550C - 12V UVLO Output bias supply voltage, V _{DDA} -V _{SSA} , V _{ddb} -V _{ddb}	13.5		25	V
T _J	Junction temperature	-40		150	°C

5.4 Thermal Information

THERMAL METRIC ⁽¹⁾		UCC21550		UNIT
		DWK	DW	
		14 PINS	16 PINS	
R _{θJA}	Junction-to-ambient thermal resistance	74.1	69.8	°C/W
R _{θJC(top)}	Junction-to-case (top) thermal resistance	34.1	33.1	°C/W
R _{θJB}	Junction-to-board thermal resistance	32.8	36.9	°C/W

5.4 Thermal Information (continued)

THERMAL METRIC ⁽¹⁾		UCC21550		UNIT
		DWK	DW	
		14 PINS	16 PINS	
Ψ_{JT}	Junction-to-top(center) characterization parameter	23.7	22.2	°C/W
Ψ_{JB}	Junction-to-board characterization parameter	32.1	36.0	°C/W

(1) For more information about traditional and new thermal metrics, see the [Semiconductor and IC Package Thermal Metrics](#) application report.

5.5 Power Ratings

PARAMETER		TEST CONDITIONS	MIN	TYP	MAX	UNIT
P_D	Maximum power dissipation (both sides)	VCCI = 5V, VDDA/VDDB = 20V, INA/B = 3.3V, 460kHz 50% duty cycle square wave, CL=2.2nF, T _J =150°C, T _A =25°C			950	mW
P_{DI}	Maximum power dissipation by transmitter side				50	mW
P_{DA}, P_{DB}	Maximum power dissipation by each driver side				450	mW

5.6 Insulation Specifications

PARAMETER		TEST CONDITIONS	SPECIFIC ATION	UNIT
GENERAL				
CLR	External clearance ⁽¹⁾	Shortest terminal-to-terminal distance through air	>8	mm
CPG	External Creepage ⁽¹⁾	Shortest terminal-to-terminal distance across the package surface	>8	mm
DTI	Distance through the insulation	Minimum internal gap (internal clearance)	>17	μm
CTI	Comparative tracking index	DIN EN 60112 (VDE 0303-11); IEC 60112	> 600	V
	Material Group	According to IEC 60664-1	I	
	Overvoltage category	Rated mains voltage ≤ 600 V _{RMS}	I-III	
		Rated mains voltage ≤ 1000 V _{RMS}	I-II	
DIN EN IEC 60747-17 (VDE 0884-17)⁽²⁾				
V _{IORM}	Maximum repetitive peak isolation voltage	AC voltage (bipolar)	2121	V _{PK}
V _{IOWM}	Maximum isolation working voltage	AC voltage (sine wave); time-dependent dielectric breakdown (TDDb) test; see Figure 6-1	1500	V _{RMS}
		DC voltage	2121	V _{DC}
V _{IMP}	Maximum impulse voltage	Tested in air, 1.2/50-μs waveform per IEC 62368-1	7692	V _{PK}
V _{IOTM}	Maximum transient isolation voltage	V _{TEST} = V _{IOTM} , t = 60 s (qualification) V _{TEST} = 1.2 × V _{IOTM} , t = 1 s (100% production)	7071	V _{PK}
V _{IOSM}	Maximum surge isolation voltage ⁽³⁾	V _{IOSM} ≥ 1.3 × V _{IMP} ; Tested in oil (qualification test), 1.2/50-μs waveform per IEC 62368-1	10000	V _{PK}
q _{pd}	Apparent charge ⁽⁴⁾	Method a: After I/O safety test subgroup 2/3, V _{ini} = V _{IOTM} , t _{ini} = 60 s; V _{pd(m)} = 1.2 × V _{IORM} , t _m = 10 s	≤5	pC
		Method a: After environmental tests subgroup 1, V _{ini} = V _{IOTM} , t _{ini} = 60 s; V _{pd(m)} = 1.6 × V _{IORM} , t _m = 10 s	≤5	
		Method b1: At routine test (100% production) and preconditioning (type test), V _{ini} = 1.2 × V _{IOTM} , t _{ini} = 1 s; V _{pd(m)} = 1.875 × V _{IORM} , t _m = 1 s	≤5	
C _{IO}	Barrier capacitance, input to output ⁽⁵⁾	V _{IO} = 0.4 × sin(2πft), f = 1 MHz	~1.2	pF
R _{IO}	Insulation resistance, input to output ⁽⁵⁾	V _{IO} = 500 V, T _A = 25°C	>10 ¹²	Ω
		V _{IO} = 500 V, 100°C ≤ T _A ≤ 125°C	>10 ¹¹	
		V _{IO} = 500 V at T _S = 150°C	>10 ⁹	
	Pollution degree		2	
	Climatic category		40/125/21	
UL 1577				
V _{ISO}	Withstand isolation voltage for UCC2155x	V _{TEST} = V _{ISO} = 5000 V _{RMS} , t = 60 s (qualification), V _{TEST} = 1.2 × V _{ISO} = 6000 V _{RMS} , t = 1 s (100% production)	5000	V _{RMS}

- (1) Creepage and clearance requirements should be applied according to the specific equipment isolation standards of an application. Care should be taken to maintain the creepage and clearance distance of a board design to ensure that the mounting pads of the isolator on the printed-circuit board do not reduce this distance. Creepage and clearance on a printed-circuit board become equal in certain cases. Techniques such as inserting grooves, ribs, or both on a printed-circuit board are used to help increase these specifications.
- (2) This coupler is suitable for *safe electrical insulation* only within the safety ratings. Compliance with the safety ratings shall be ensured by means of suitable protective circuits.
- (3) Testing is carried out in air or oil to determine the intrinsic surge immunity of the isolation barrier.
- (4) Apparent charge is electrical discharge caused by a partial discharge (pd).
- (5) All pins on each side of the barrier tied together creating a two-pin device.

5.7 Safety Limiting Values

PARAMETER		TEST CONDITIONS	SIDE	MIN	TYP	MAX	UNIT
DW Package							
I _S	Safety output supply current	R _{θJA} = 69.8°C/W, V _{DDA/B} = 15 V, T _J = 150°C, T _A = 25°C	DRIVER A,			58	mA
		R _{θJA} = 69.8°C/W, V _{DDA/B} = 25 V, T _J = 150°C, T _A = 25°C	DRIVER B			34	
P _S	Safety supply power	R _{θJA} = 69.8°C/W, T _J = 150°C, T _A = 25°C	INPUT			50	mW
			DRIVER A			870	
			DRIVER B			870	
			TOTAL			1790	
T _S	Maximum safety temperature ⁽¹⁾					150	°C
DWK Package							
I _S	Safety output supply current	R _{θJA} = 74.1°C/W, V _{DDA/B} = 15 V, T _J = 150°C, T _A = 25°C	DRIVER A, DRIVER B			53	mA
		R _{θJA} = 74.1°C/W, V _{DDA/B} = 25 V, T _J = 150°C, T _A = 25°C	DRIVER A, DRIVER B			32	
P _S	Safety supply power	R _{θJA} = 74.1°C/W, T _J = 150°C, T _A = 25°C	INPUT			50	mW
			DRIVER A			800	mW
			DRIVER B			800	mW
			TOTAL			1650	mW
T _S	Maximum safety temperature ⁽¹⁾					150	°C

- (1) The maximum safety temperature, T_S, has the same value as the maximum junction temperature, T_J, specified for the device. The I_S and P_S parameters represent the safety current and safety power respectively. The maximum limits of I_S and P_S should not be exceeded. These limits vary with the ambient temperature, T_A. The junction-to-air thermal resistance, R_{qJA}, in the Thermal Information table is that of a device installed on a high-K test board for leaded surface-mount packages. Use these equations to calculate the value for each parameter: T_J = T_A + R_{qJA} · P, where P is the power dissipated in the device. T_{J(max)} = T_S = T_A + R_{qJA} · P_S, where T_{J(max)} is the maximum allowed junction temperature. P_S = I_S · V_I, where V_I is the maximum supply voltage.

5.8 Electrical Characteristics

$V_{VCCI} = 3.3\text{ V}$ or 5.0 V , $0.1\text{-}\mu\text{F}$ capacitance from V_{CCI} to GND , $V_{VDDx} = 12\text{V}$ (for 5V and 8V UVLO) or 15V (for 12V UVLO), $1.1\text{-}\mu\text{F}$ capacitance from V_{DDA} and V_{ddb} to V_{SSA} and V_{SSB} , DT pin floating, $EN = V_{CC}$ or $DIS = GND$, $T_J = -40^\circ\text{C}$ to $+150^\circ\text{C}$, $C_L = 0\text{ pF}$, unless otherwise noted ⁽¹⁾

PARAMETER		TEST CONDITIONS	MIN	TYP	MAX	UNIT
SUPPLY CURRENTS						
I_{VCC}	VCC quiescent current	$V_{INx} = 0\text{ V}$, $DIS = GND$; $V_{CC}=3.3\text{V}$		1.4	2	mA
		$V_{INx} = 0\text{ V}$, $DIS = GND$; $V_{CC}=5\text{V}$		1.4	2	
		$V_{INx} = V_{CC}$, $DIS = GND$; $V_{CC}=3.3\text{V}$		4.2	4.8	
		$V_{INx} = V_{CC}$, $DIS = GND$; $V_{CC}=5\text{V}$		4.2	4.8	
		V_{INx} PWM at 0V to V_{CC} at $f_{SW} = 500\text{kHz}$, $DIS = GND$; $V_{CC}=3.3\text{V}$		2.7	3.2	
		V_{INx} PWM at 0V to V_{CC} at $f_{SW} = 500\text{kHz}$, $DIS = GND$; $V_{CC}=5\text{V}$		2.7	3.2	
I_{VDDx}	VDDx quiescent current	$V_{INx} = 0\text{ V}$, $DIS = GND$		1.2	2	mA
		$V_{INx} = 0\text{ V}$, $DIS = GND$; $V_{DD}=25\text{V}$		1.4	2.3	
		$V_{INx} = V_{CC}$, $DIS = GND$		1.4	2.2	
		$V_{INx} = V_{CC}$, $DIS = GND$; $V_{DD}=25\text{V}$		1.5	2.5	
		V_{INx} PWM at 0V to V_{CC} at $f_{SW} = 500\text{kHz}$, $DIS = GND$		2.7	4.4	
		V_{INx} PWM at 0V to V_{CC} at $f_{SW} = 500\text{kHz}$, $DIS = GND$; $V_{DD}=25\text{V}$		2.7	4.4	
VCC SUPPLY VOLTAGE UNDERVOLTAGE THRESHOLDS						
V_{VCC_ON}	VCC UVLO Rising Threshold		2.55	2.7	2.85	V
V_{VCC_OFF}	VCC UVLO Falling Threshold		2.35	2.5	2.65	
V_{VCC_HYS}	VCC UVLO Threshold Hysteresis			0.2		
$t_{VCC+ \text{ to OUT}}$	VCC UVLO ON Delay		18	42	80	μs
$t_{VCC- \text{ to OUT}}$	VCC UVLO OFF Delay		0.5	1.2	7	
t_{VCCFIL}	VCC UVLO Deglitch Filter		0.4	0.9	3.1	
VDD SUPPLY VOLTAGE UNDERVOLTAGE THRESHOLDS AND DELAY						
V_{VDD_ON}	VDDx UVLO Rising Threshold	5-V UVLO Option	5.7	6.0	6.3	V
V_{VDD_OFF}	VDDx UVLO Falling Threshold		5.4	5.7	6.0	
V_{VDD_HYS}	VDDx UVLO Threshold Hysteresis			0.30		
V_{VDD_ON}	VDDx UVLO Rising Threshold	8-V UVLO Option	7.7	8.5	8.9	V
V_{VDD_OFF}	VDDx UVLO Falling Threshold		7.2	7.9	8.4	
V_{VDD_HYS}	VDDx UVLO Threshold Hysteresis			0.6		
V_{VDD_ON}	VDDx UVLO Rising Threshold	12-V UVLO Option (Metal Option)	11.7	12.5	13.3	V
V_{VDD_OFF}	VDDx UVLO Falling Threshold		10.7	11.5	12.3	
V_{VDD_HYS}	VDDx UVLO Threshold Hysteresis			1.0		
$t_{VDD+ \text{ to OUT}}$	VDDx UVLO ON Delay				10	μs
$t_{VDD- \text{ to OUT}}$	VDDx UVLO OFF Delay		0.1	0.5	2	
t_{VDDFIL}	VDDx UVLO Deglitch Filter		0.1	0.17		
INA, INB, AND / DIS						
V_{INx_H} , V_{DIS_H}	Input High Threshold Voltage			2	2.3	V
V_{INx_L} , V_{DIS_L}	Input Low Threshold Voltage		0.8	1		
V_{INx_HYS} , V_{DIS_HYS}	Input Threshold Hysteresis			1		
R_{INxD}	INx Pin Pull Down Resistance	$INx = 3.3\text{V}$	50	90	185	k Ω
R_{DISD}	DIS Pin Pull Up Resistance	$DIS = 3.3\text{V}$	50	90	185	k Ω
OUTPUT DRIVER STAGE						
I_{O+}	Peak Output Source Current	$C_{VDDx} = 10\text{ }\mu\text{F}$, $C_L = 0.22\text{ }\mu\text{F}$, $f = 1\text{ kHz}$		-4		A
I_{O-}	Peak Output Sink Current	$C_{VDDx} = 10\text{ }\mu\text{F}$, $C_L = 0.22\text{ }\mu\text{F}$, $f = 1\text{ kHz}$		6		A

5.8 Electrical Characteristics (continued)

$V_{VCC1} = 3.3\text{ V}$ or 5.0 V , $0.1\text{-}\mu\text{F}$ capacitance from $VCC1$ to GND , $V_{VDDx} = 12\text{ V}$ (for 5 V and 8 V UVLO) or 15 V (for 12 V UVLO), $1.1\text{-}\mu\text{F}$ capacitance from $VDDA$ and $VDDb$ to $VSSA$ and $VSSB$, DT pin floating, $EN = VCC$ or $DIS = GND$, $T_J = -40^\circ\text{C}$ to $+150^\circ\text{C}$, $C_L = 0\text{ pF}$, unless otherwise noted ⁽¹⁾

PARAMETER		TEST CONDITIONS	MIN	TYP	MAX	UNIT
R_{OH}	Pull up resistance	$I_{OUTx} = -0.05\text{ A}$		5		Ω
R_{OL}	Pull down resistance	$I_{OUTx} = 0.05\text{ A}$		0.55		
ACTIVE PULL-DOWN						
V_{OUTPD}	Output Active Pull Down on $OUTx$	$I_{OUT} = 200\text{ mA}$, $VDDx$ floating and unpowered.		1.6	2	V
V_{OUTPD}	Output Active Pull Down on $OUTx$	$I_{OUT} = 200\text{ mA}$, $C_{VDD} = 100\text{ nF}$ and unpowered.		1.6	2	V
DEADTIME AND OVERLAP PROGRAMMING						
DT_S	Disable DT Function	DT pin open or pull DT pin to VCC	Output overlapping determined by INA , INB			-
	Deadtime Programming for $R_{DT} \leq 0.15\text{ k}\Omega$	$R_{DT} = 0\text{--}0.15\text{ k}\Omega$	-6	0.2	6	ns
	Deadtime Programming for $1.7\text{ k}\Omega \leq R_{DT} \leq 100\text{ k}\Omega$ DT (ns) = $8.6 \times R_{DT}(\text{k}\Omega) + 13$	$R_{DT} = 10\text{ k}\Omega$	86	99	112	ns
		$R_{DT} = 20\text{ k}\Omega$	167	185	203	
$R_{DT} = 50\text{ k}\Omega$	399	443	487			

- (1) Current direction in the testing conditions are defined to be positive into the pin and negative out of the specified terminal (unless otherwise noted)

5.9 Switching Characteristics

$V_{VCC1} = 3.3\text{ V}$ or 5.0 V , $0.1\text{-}\mu\text{F}$ capacitance from $VCC1$ to GND , $V_{VDDx} = 12\text{ V}$ (for 5 V and 8 V UVLO) or 15 V (for 12 V UVLO), $1.1\text{-}\mu\text{F}$ capacitance from $VDDA$ and $VDDb$ to $VSSA$ and $VSSB$, DT pin floating, $EN = VCC$ or $DIS = GND$, $T_J = -40^\circ\text{C}$ to $+150^\circ\text{C}$, $C_L = 0\text{ pF}$, unless otherwise noted

PARAMETER		TEST CONDITIONS	MIN	TYP	MAX	UNIT
t_{RISE}	Output Rise Time	$C_L = 1.8\text{ nF}$, $VDDx = 12\text{ V}$, 20% to 80%		8		ns
		$C_L = 1.8\text{ nF}$, $VDDx = 25\text{ V}$, 20% to 80%		8		
t_{FALL}	Output Fall Time	$C_L = 1.8\text{ nF}$, $VDDx = 12\text{ V}$, 10% to 90%		8		ns
		$C_L = 1.8\text{ nF}$, $VDDx = 25\text{ V}$, 10% to 90%		8		
t_{PDLH}	Propagation Delay – Low to High	Input Pulse Width = 100ns, 500kHz, measure with Input V_{IH} to output 10%	26	33	45	ns
t_{PDHL}	Propagation Delay – High to Low	Input Pulse Width = 100ns, 500kHz, measure with Input V_{IL} to output 90%	26	33	45	ns
$t_{PD_DIS_HL}$	DIS Response Delay – High to Low	$t_{EN/DIS_FIL} = 20\text{ ns}$ (typ), $VDD = VDD_ON + 0.2\text{ V}$ and above, Input Pulse Width = 100ns, 500kHz	27	48	80	ns
$t_{PD_DIS_LH}$	DIS Response Delay – Low to High		27	48	80	ns
t_{PWmin}	Minimum Input Pulse Width That Passes to Output	$VDD = VDD_ON + 0.2\text{ V}$ and above	4	12	30	ns
t_{DM}	Propagation Delay Matching for Dual Channel Driver	Input Pulse Width = 100ns, 500kHz, $T_J = -40^\circ\text{C}$ to -10°C $ t_{PDLHA} - t_{PDLHB} $, $ t_{PDHLA} - t_{PDHLB} $	0		6.5	ns
		Input Pulse Width = 100ns, 500kHz, $T_J = -10^\circ\text{C}$ to $+150^\circ\text{C}$ $ t_{PDLHA} - t_{PDLHB} $, $ t_{PDHLA} - t_{PDHLB} $	0		5	ns
t_{PWD}	Pulse Width Distortion	Input Pulse Width = 100ns, 500kHz $ t_{PDLHA} - t_{PDHLA} $, $ t_{PDLHB} - t_{PDHLB} $	0		5	ns
$ CM_H $	High-level Common Mode Transient Immunity	$V_{CM} = 1500\text{ V}$	125			V/ns
$ CM_L $	Low-level Common Mode Transient Immunity		125			V/ns

5.10 Insulation Characteristics Curves

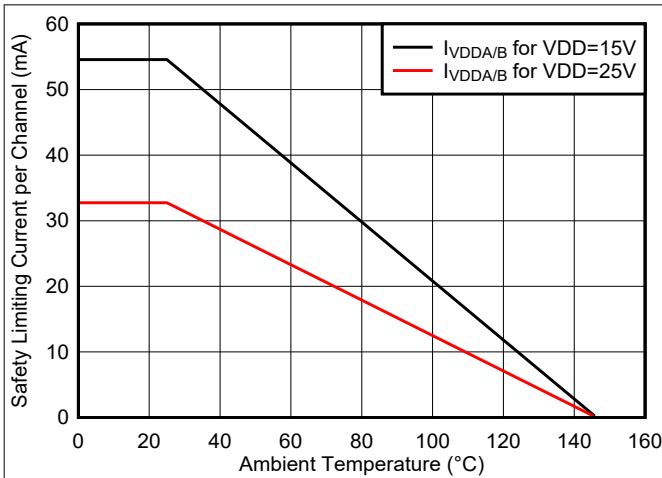


Figure 5-1. Thermal Derating Curve for Limiting Current per VDE for DWK package (current in each channel with both channels running simultaneously)

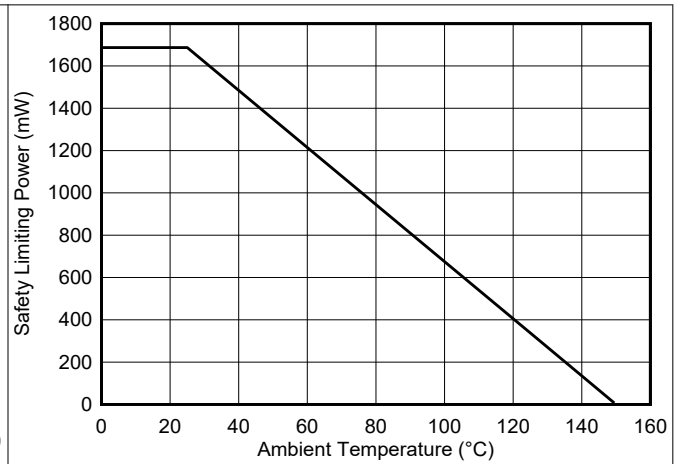


Figure 5-2. Thermal Derating Curve for Safety-Related Limiting Power per VDE for DWK package

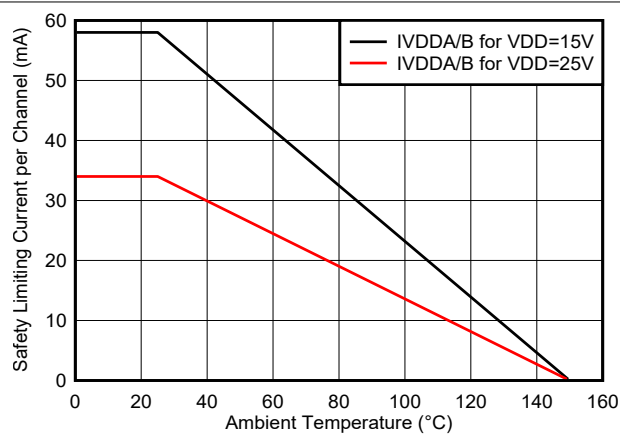


Figure 5-3. Thermal Derating Curve for Limiting Current per VDE for DW package (current in each channel with both channels running simultaneously)

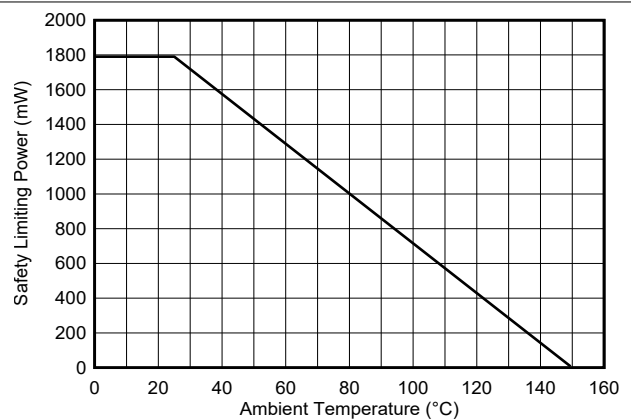
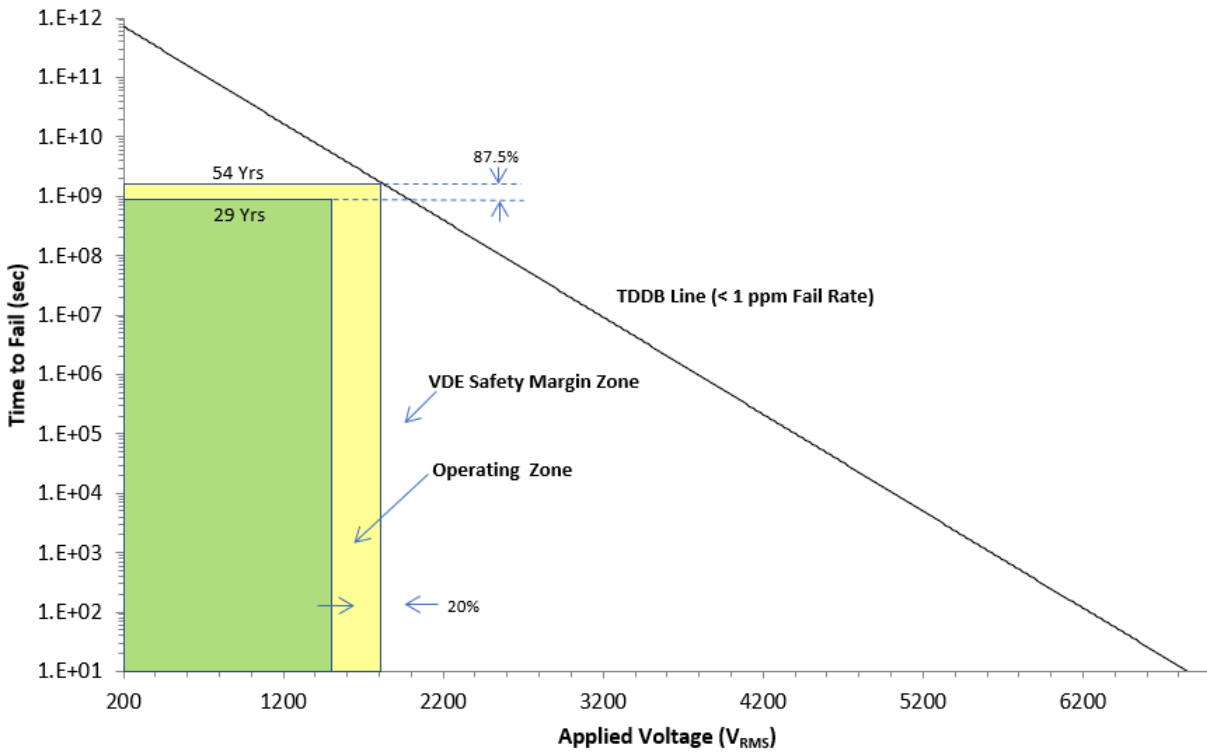


Figure 5-4. Thermal Derating Curve for Safety-Related Limiting Power per VDE for DW package



Working Isolation Voltage = 1500 V_{RMS}
upto 150 °C

Projected Insulation Lifetime = 29 Years
Applied Voltage Frequency = 60 Hz

T_A

Figure 5-5. Reinforced Isolation Capacitor Life Time Projection

5.11 Typical Characteristics

VDDA = VDDB= 15 V, VCCI = 3.3 V, T_A = 25°C, No load unless otherwise noted.

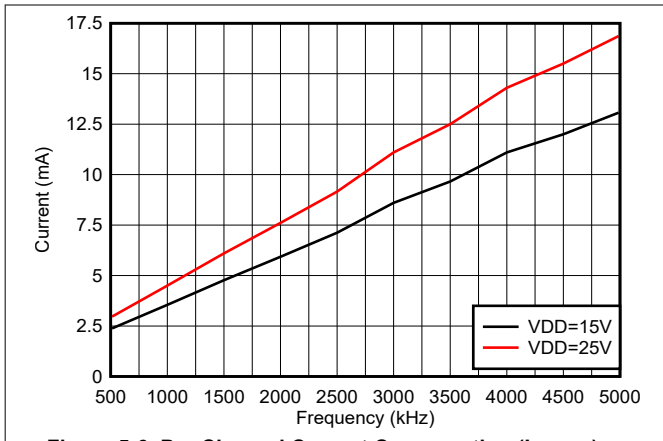


Figure 5-6. Per Channel Current Consumption ($I_{VDDA/B}$) vs Frequency (no load, VDD = 15V or 25V)

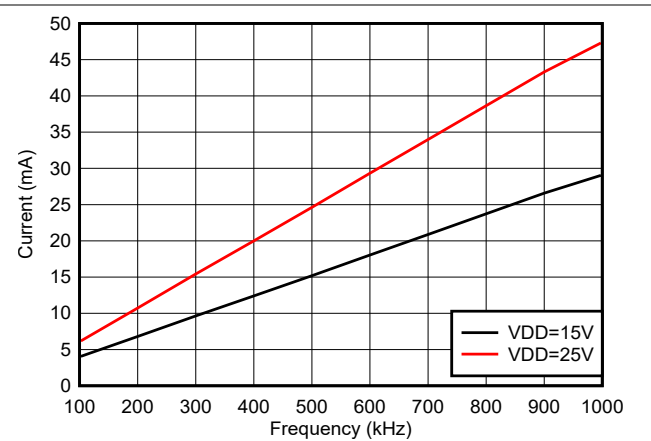


Figure 5-7. Per Channel Current Consumption ($I_{VDDA/B}$) vs Frequency (1-nF load, VDD = 15V or 25V)

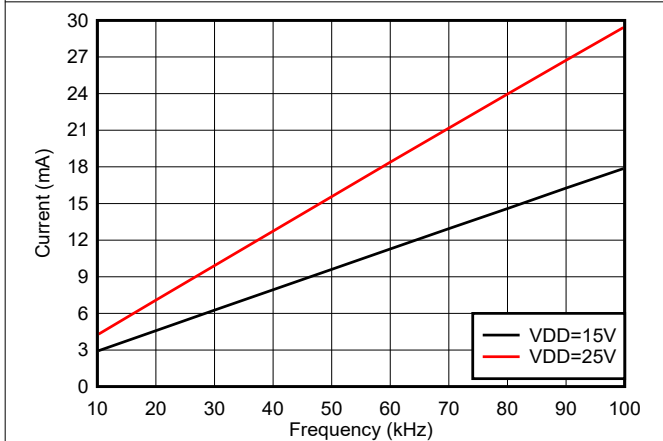


Figure 5-8. Per Channel Current Consumption ($I_{VDDA/B}$) vs Frequency (10-nF load, VDD = 15V or 25V)

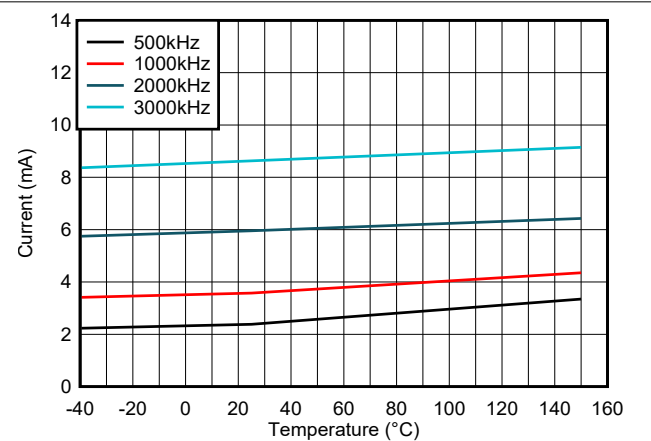


Figure 5-9. Per Channel ($I_{VDDA/B}$) Supply Current vs Temperature (no load, different switching frequencies)

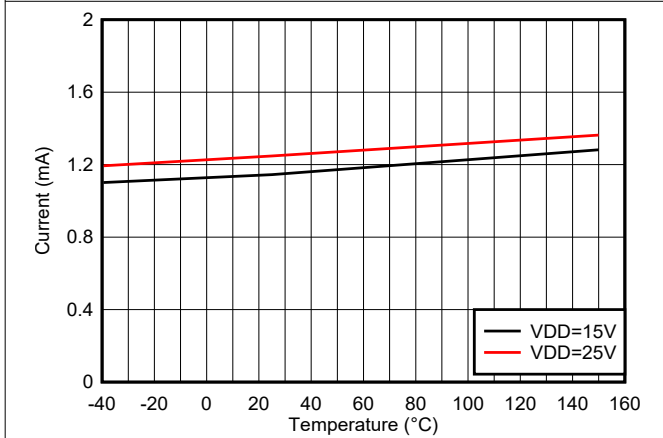


Figure 5-10. Per Channel ($I_{VDDA/B}$) Quiescent Supply Current vs Temperature (no load, input low, no switching)

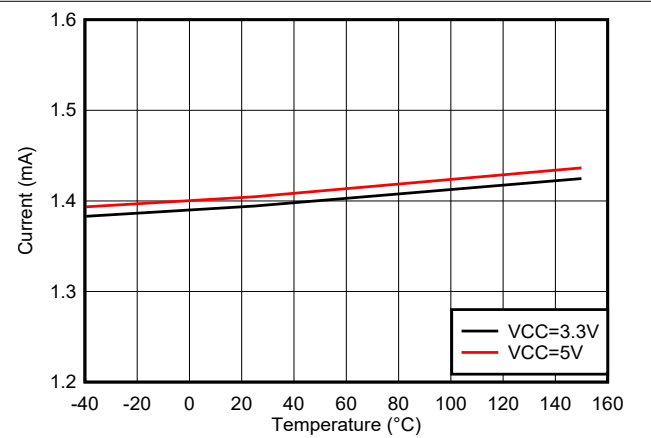


Figure 5-11. I_{VCCI} Quiescent Supply Current vs Temperature (no load, input low, no switching)

5.11 Typical Characteristics (continued)

VDDA = VDDB= 15 V, VCCI = 3.3 V, T_A = 25°C, No load unless otherwise noted.

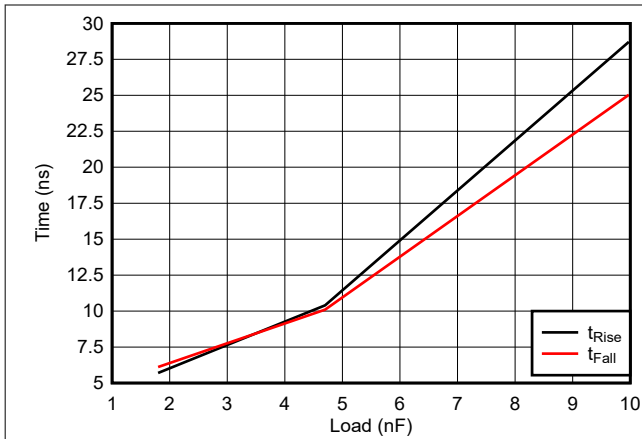


Figure 5-12. Rising and Falling Times vs Load (VDD = 15V)

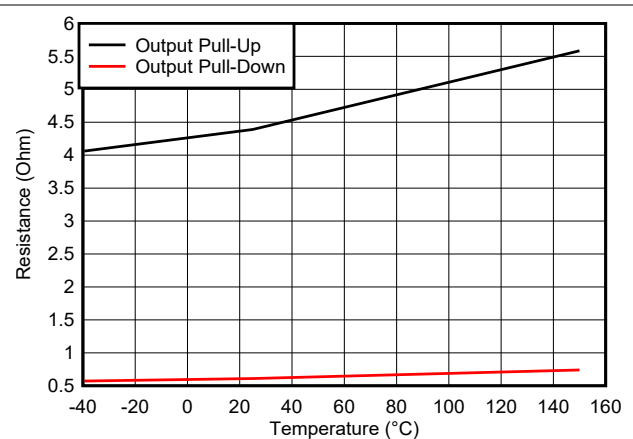


Figure 5-13. Output Resistance vs Temperature

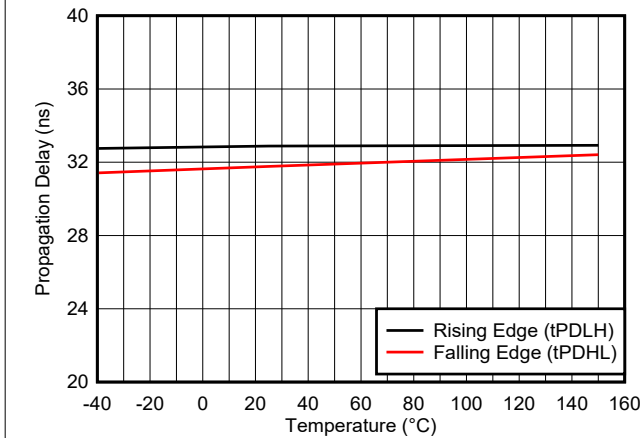


Figure 5-14. Propagation Delay vs Temperature

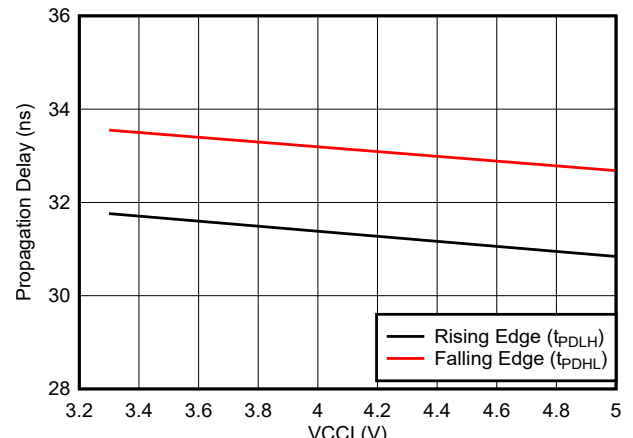


Figure 5-15. Propagation Delay vs VCCI

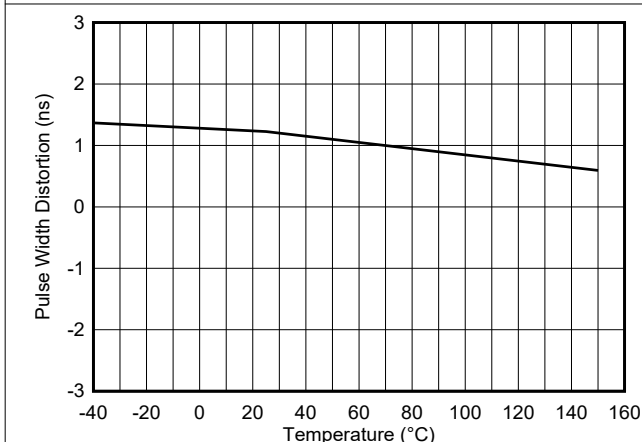


Figure 5-16. Pulse Width Distortion vs Temperature

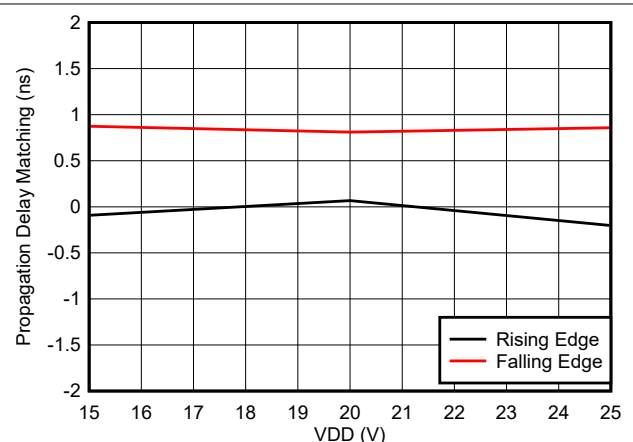


Figure 5-17. Propagation Delay Matching (t_{DM}) vs VDD

5.11 Typical Characteristics (continued)

VDDA = VDDB= 15 V, VCCI = 3.3 V, T_A = 25°C, No load unless otherwise noted.

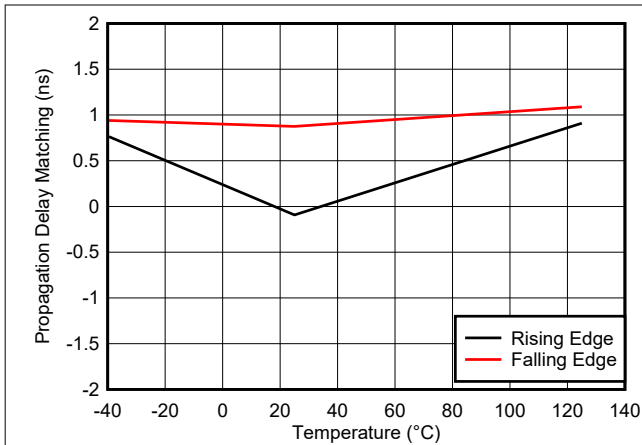


Figure 5-18. Propagation Delay Matching (t_{DM}) vs Temperature

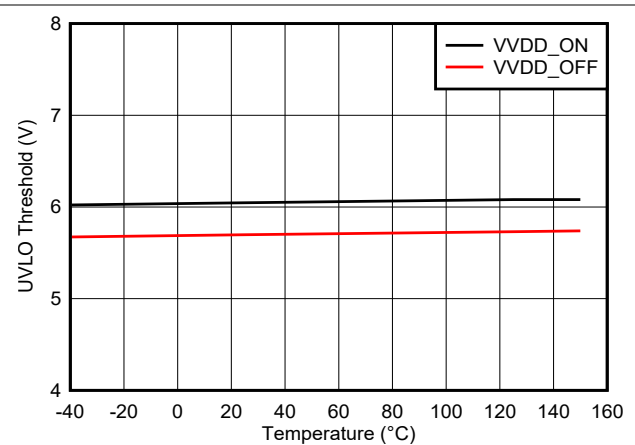


Figure 5-19. VDD 5-V UVLO Threshold vs Temperature

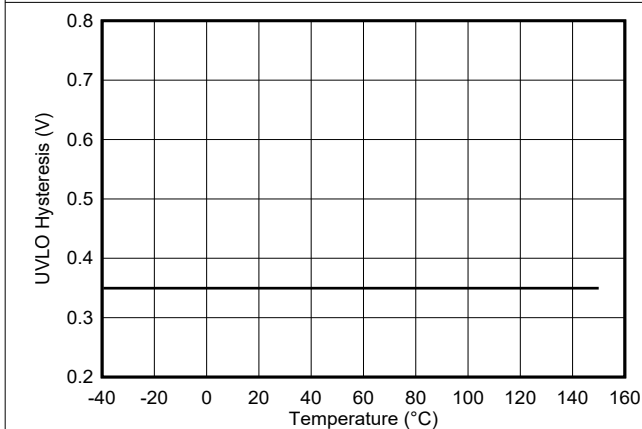


Figure 5-20. VDD 5-V UVLO Hysteresis vs Temperature

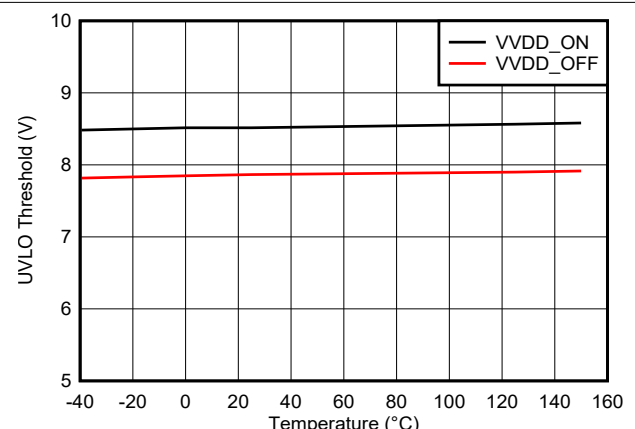


Figure 5-21. VDD 8-V UVLO Threshold vs Temperature

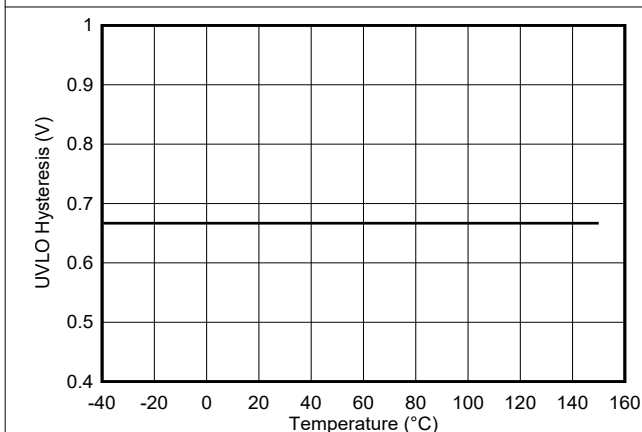


Figure 5-22. VDD 8-V UVLO Hysteresis vs Temperature

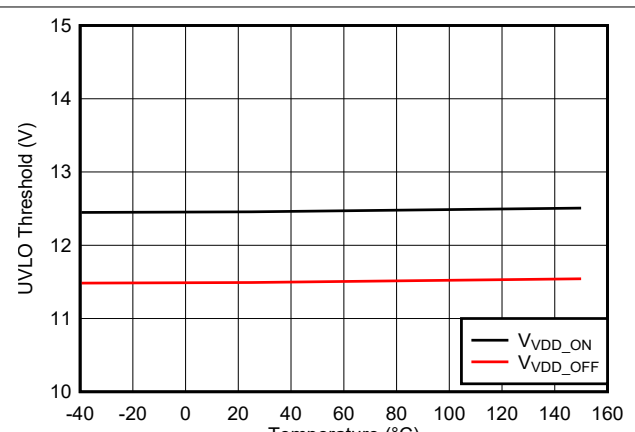


Figure 5-23. VDD 12-V UVLO Threshold vs Temperature

5.11 Typical Characteristics (continued)

VDDA = VDDDB= 15 V, VCCI = 3.3 V, T_A = 25°C, No load unless otherwise noted.

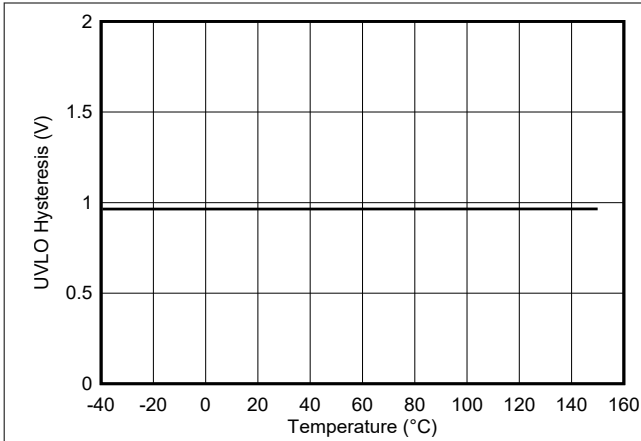


Figure 5-24. VDD 12-V UVLO Hysteresis vs Temperature

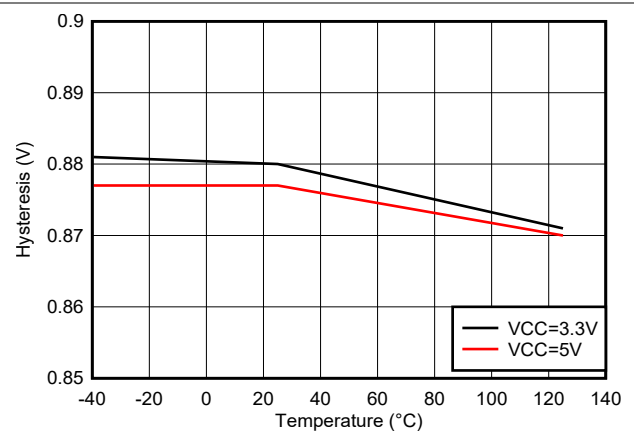


Figure 5-25. IN/DIS Hysteresis vs Temperature

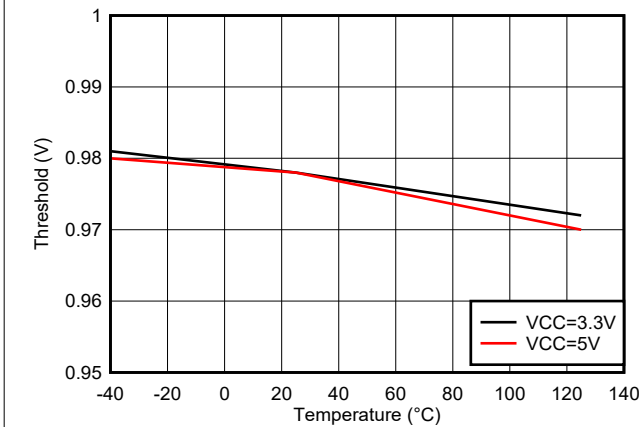


Figure 5-26. IN/DIS Low Threshold

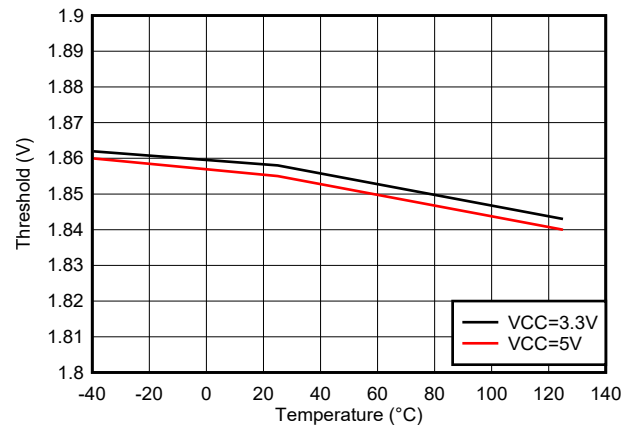


Figure 5-27. IN/DIS High Threshold

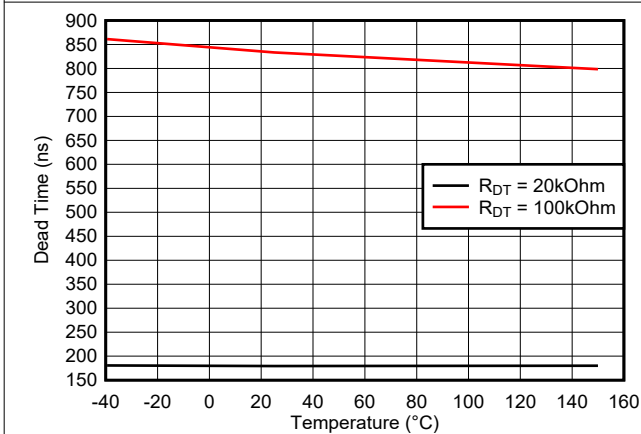


Figure 5-28. Dead Time vs Temperature (with R_{DT} = 20kΩ and 100kΩ)

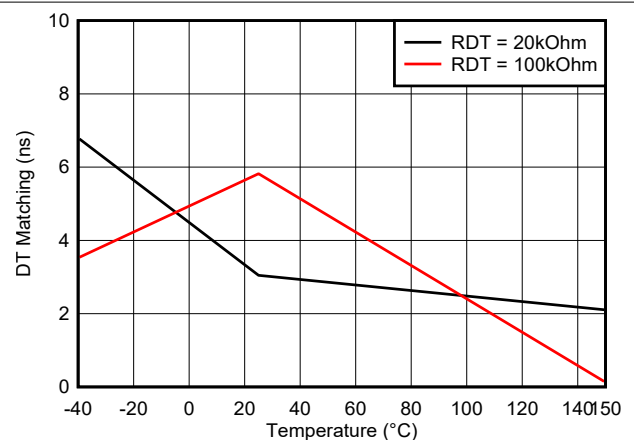


Figure 5-29. Dead Time Matching vs Temperature (with R_{DT} = 20kΩ and 100kΩ)

5.11 Typical Characteristics (continued)

VDDA = VDDB= 15 V, VCCI = 3.3 V, T_A = 25°C, No load unless otherwise noted.

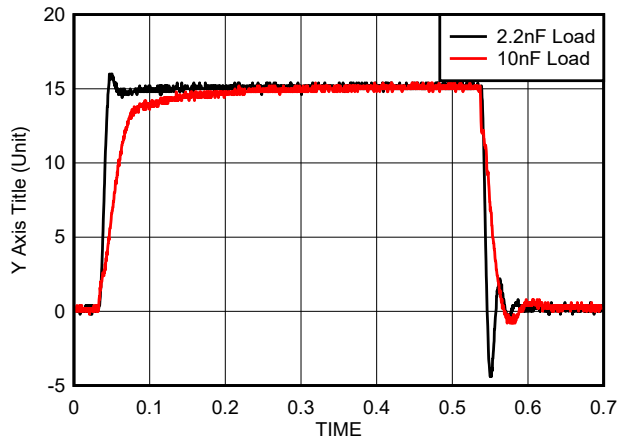


Figure 5-30. Typical Output Waveforms

6 Parameter Measurement Information

6.1 Propagation Delay and Pulse Width Distortion

Figure 6-1 shows how one calculates pulse width distortion (t_{PWD}) and delay matching (t_{DM}) from the propagation delays of channels A and B. It can be measured by ensuring that both inputs are in phase and disabling the dead time function by shorting the DT Pin to VCC.

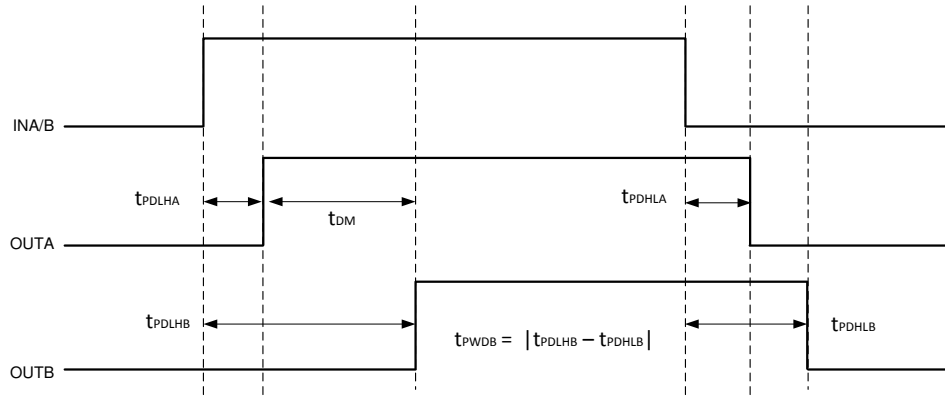


Figure 6-1. Overlapping Inputs, Dead Time Disabled

6.2 Rising and Falling Time

Figure 6-2 shows the criteria for measuring rising (t_{RISE}) and falling (t_{FALL}) times. For more information on how short rising and falling times are achieved see Section 7.3.4.

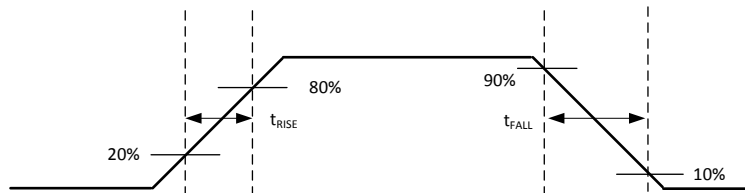


Figure 6-2. Rising and Falling Time Criteria

6.3 Input and Disable Response Time

Figure 6-3 shows the response time of the disable function. It is recommended to bypass using a $\approx 1\text{nF}$ low ESR/ESL capacitor close to DIS pin when connecting DIS pin to a micro controller with distance. For more information, see Section 7.4.1.

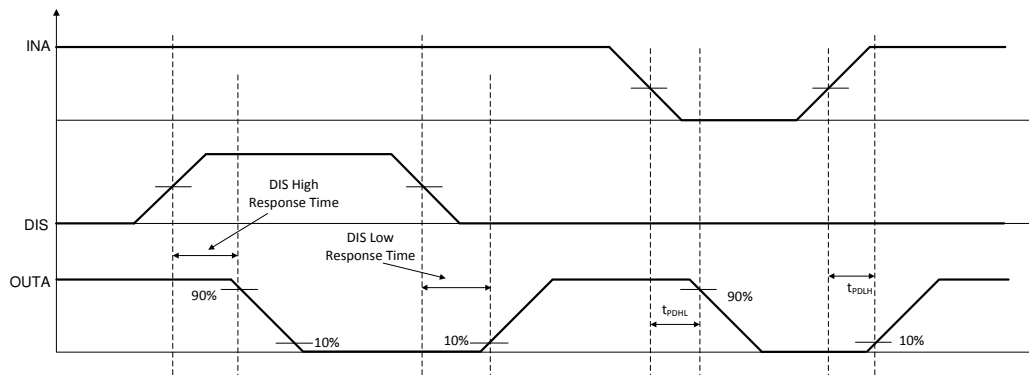


Figure 6-3. Disable Pin Timing

6.4 Programmable Dead Time

Connecting the DT pin to GND through an appropriate resistor (R_{DT}) sets a dead-time interval. For more details on dead time, refer to [Section 7.4.2](#).

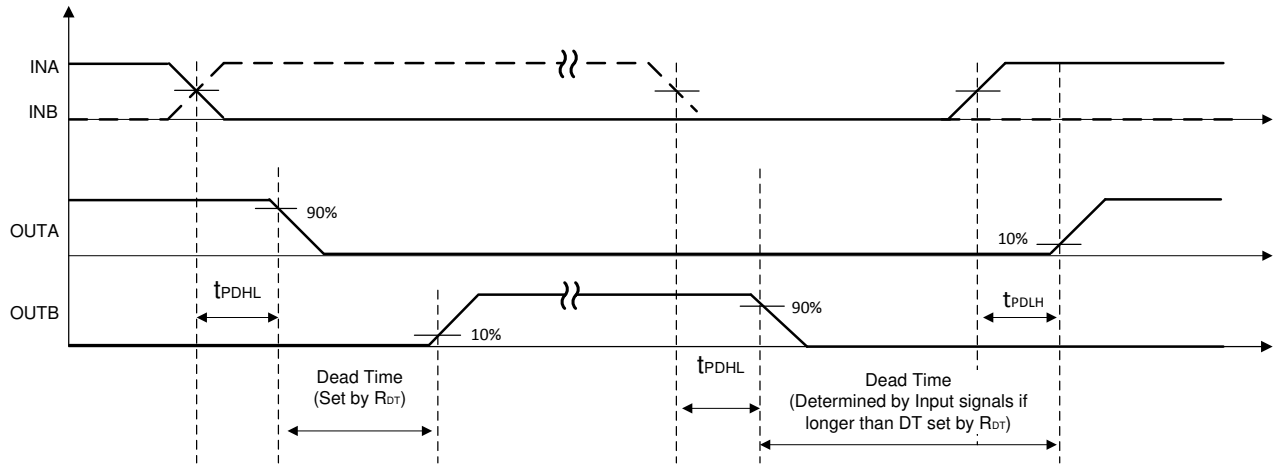


Figure 6-4. Dead-Time Switching Parameters

6.5 Power-up UVLO Delay to OUTPUT

Before the driver is ready to deliver a proper output state, there is a power-up delay from the UVLO rising edge to output and it is defined as $t_{VCCI+ \text{ to } OUT}$ for VCCI UVLO (typically 40 μ s) and $t_{VDD+ \text{ to } OUT}$ for VDD UVLO (typically 5 μ s). It is recommended to consider proper margin before launching PWM signal after the driver's VCCI and VDD bias supply is ready. [Figure 6-5](#) and [Figure 6-6](#) show the power-up UVLO delay timing diagram for VCCI and VDD.

If INA or INB are active before VCCI or VDD have crossed above their respective on thresholds, the output will not update until $t_{VCCI+ \text{ to } OUT}$ or $t_{VDD+ \text{ to } OUT}$ after VCCI or VDD crossing its UVLO rising threshold. However, when either VCCI or VDD receive a voltage less than their respective off thresholds, there is $<2\mu$ s delay, depending on the voltage slew rate on the supply pins, before the outputs are held low. This asymmetric delay is designed to ensure safe operation during VCCI or VDD brownouts.

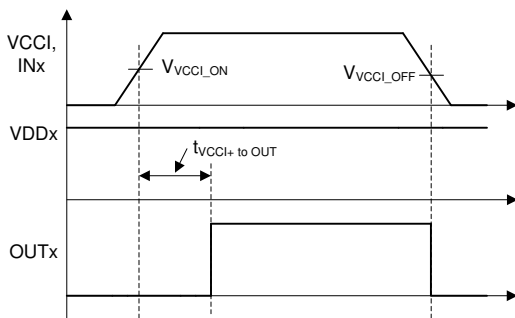


Figure 6-5. VCCI Power-up UVLO Delay

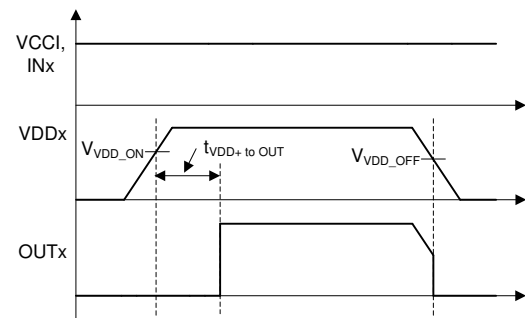


Figure 6-6. VDDA/B Power-up UVLO Delay

6.6 CMTI Testing

Figure 6-7 is a simplified diagram of the CMTI testing configuration.

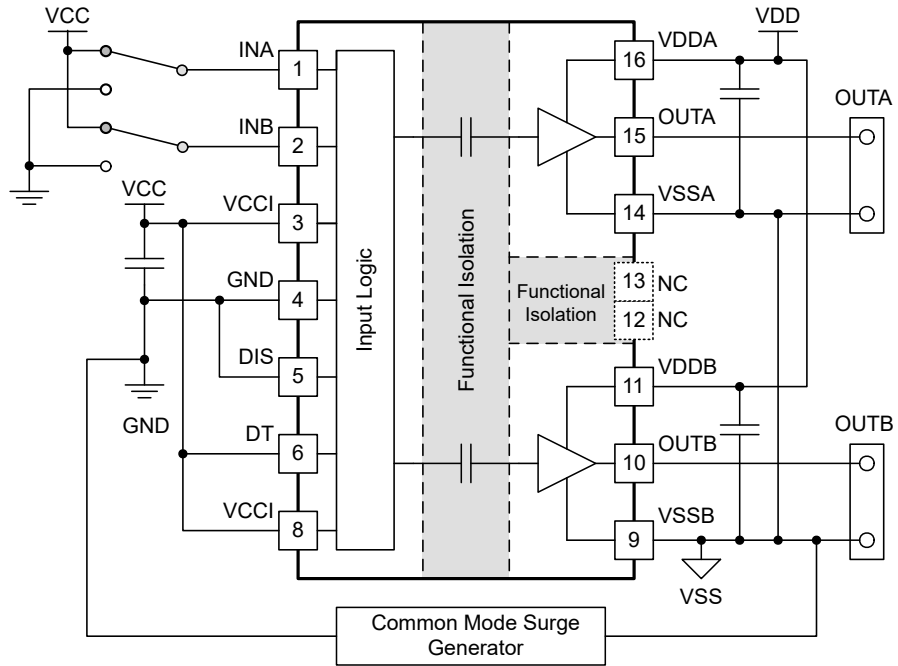


Figure 6-7. Simplified CMTI Testing Setup

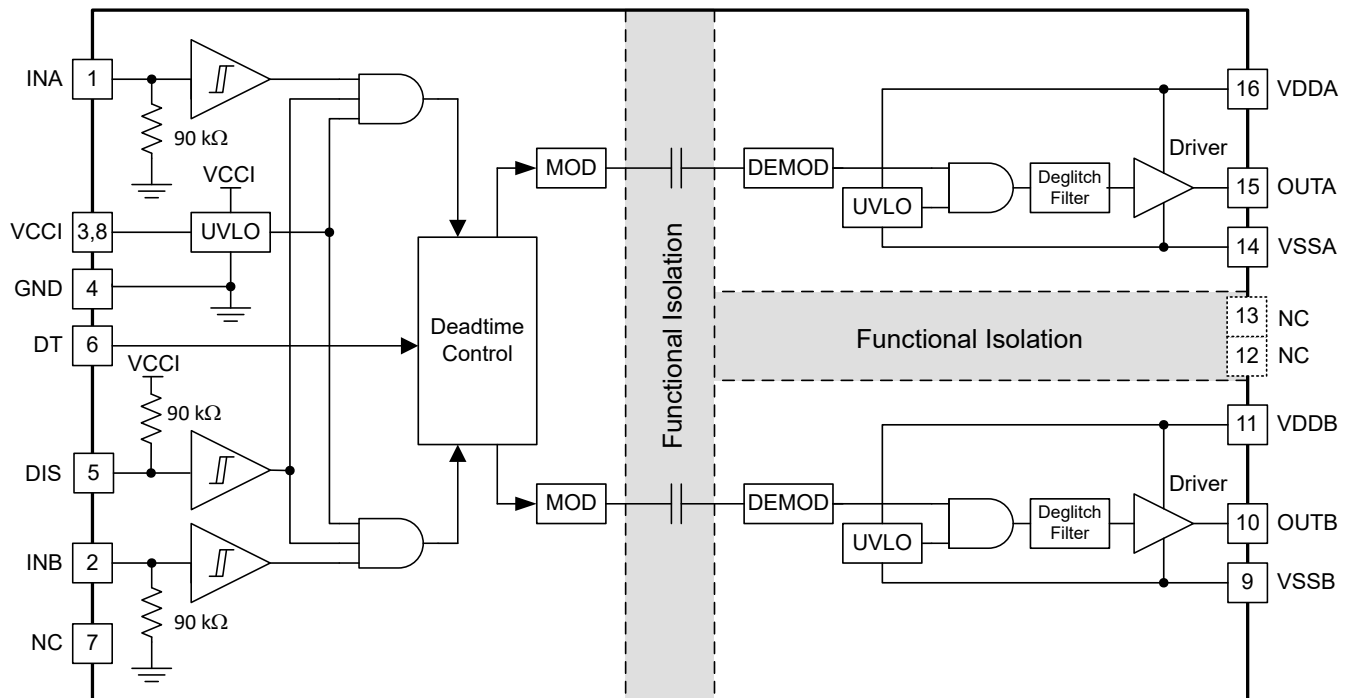
7 Detailed Description

7.1 Overview

In order to switch power transistors rapidly and reduce switching power losses, high-current gate drivers are often placed between the output of control devices and the gates of power transistors. There are several instances where controllers are not capable of delivering sufficient current to drive the gates of power transistors. This is especially the case with digital controllers, since the input signal from the digital controller is often a 3.3-V logic signal capable of only delivering a few mA.

The UCC21550 is a flexible dual gate driver which can be configured to fit a variety of power supply and motor drive topologies, as well as drive several types of transistors, including SiC MOSFETs. The device has many features that allow it to integrate well with control circuitry and protect the gates it drives such as: resistor-programmable dead time (DT) control, a DIS pin that is internally pulled up, and under voltage lock out (UVLO) for both input and output voltages. The UCC21550 also hold its outputs low when the inputs are left open or when the input pulse is not wide enough. The driver inputs are CMOS and TTL compatible for interfacing to digital and analog power controllers alike. Each channel is controlled by its respective input pins (INA and INB), allowing full and independent control of each of the outputs.

7.2 Functional Block Diagram



7.3 Feature Description

7.3.1 VDD, VCCI, and Undervoltage Lock Out (UVLO)

The UCC21550 has an internal undervoltage lock out (UVLO) protection feature on the supply circuit blocks between the VDD and VSS pins for both outputs. When the VDD bias voltage is lower than V_{VDD_ON} at device start-up or lower than V_{VDD_OFF} after start-up, the VDD UVLO feature holds the affected output low, regardless of the status of the input pins (INA and INB).

When the output stages of the driver are in an unbiased or UVLO condition, the driver outputs are held low by an active clamp circuit that limits the voltage rise on the driver outputs (Illustrated in Figure 7-1). In this condition, the upper PMOS is resistively held off by R_{HI-Z} while the lower NMOS gate is tied to the driver output through R_{CLAMP} . In this configuration, the output is effectively clamped to the threshold voltage of the lower NMOS device, typically around 1.5 V, when no bias power is available.

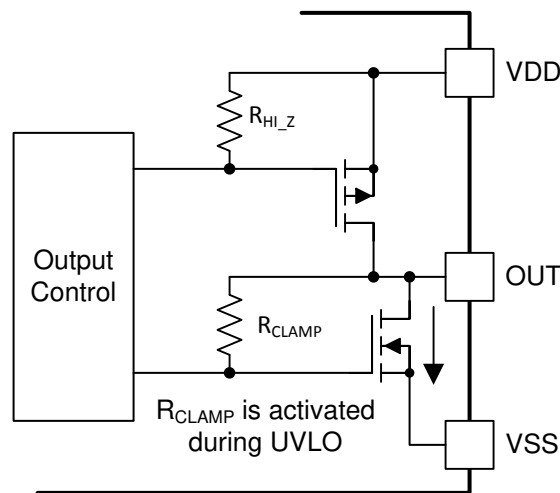


Figure 7-1. Simplified Representation of Active Pulldown Feature

The VDD UVLO protection has a hysteresis feature (V_{VDD_HYS}). This hysteresis prevents chatter when there is ground noise from the power supply. Also this allows the device to accept small drops in bias voltage, which is bound to happen when the device starts switching and operating current consumption increases suddenly.

The input side of the UCC21550 also has an internal undervoltage lock out (UVLO) protection feature. The device isn't active unless the voltage, VCCI, is going to exceed V_{VCCI_ON} on start up. And a signal will cease to be delivered when that pin receives a voltage less than V_{VCCI_OFF} . And, just like the UVLO for VDD, there is hysteresis (V_{VCCI_HYS}) to ensure stable operation.

All versions of the UCC21550 can withstand an absolute maximum of 30 V for VDD, and 5.5 V for VCCI.

Table 7-1. UCC21550 VCCI UVLO Feature Logic

CONDITION	INPUTS		OUTPUTS	
	INA	INB	OUTA	OUTB
VCCI-GND < V _{VCCI_ON} during device start up	H	L	L	L
VCCI-GND < V _{VCCI_ON} during device start up	L	H	L	L
VCCI-GND < V _{VCCI_ON} during device start up	H	H	L	L
VCCI-GND < V _{VCCI_ON} during device start up	L	L	L	L
VCCI-GND < V _{VCCI_OFF} after device start up	H	L	L	L
VCCI-GND < V _{VCCI_OFF} after device start up	L	H	L	L
VCCI-GND < V _{VCCI_OFF} after device start up	H	H	L	L
VCCI-GND < V _{VCCI_OFF} after device start up	L	L	L	L

Table 7-2. UCC21550 VDD UVLO Feature Logic

CONDITION	INPUTS		OUTPUTS	
	INA	INB	OUTA	OUTB
VDD-VSS < V _{VDD_ON} during device start up	H	L	L	L
VDD-VSS < V _{VDD_ON} during device start up	L	H	L	L
VDD-VSS < V _{VDD_ON} during device start up	H	H	L	L
VDD-VSS < V _{VDD_ON} during device start up	L	L	L	L
VDD-VSS < V _{VDD_OFF} after device start up	H	L	L	L
VDD-VSS < V _{VDD_OFF} after device start up	L	H	L	L
VDD-VSS < V _{VDD_OFF} after device start up	H	H	L	L
VDD-VSS < V _{VDD_OFF} after device start up	L	L	L	L

7.3.2 Input and Output Logic Table

Table 7-3. Input/Output Logic Table

Assume VCCI, VDDA, VDDDB are powered up. See [Section 7.3.1](#) for more information on UVLO operation modes.

INPUTS ⁽¹⁾		DIS	OUTPUTS		NOTE
INA	INB		OUTA	OUTB	
L	L	L	L	L	If Dead Time function is used, output transitions occur after the dead time expires. See Section 7.4.2
L	H	L	L	H	
H	L	L	H	L	
H	H	L	L	L	
H	H	L	H	H	DT pin left open or tied to VCCI
Left Open	Left Open	L	L	L	-
X	X	H or Left Open	L	L	-

(1) "X" means L, H or left open.

7.3.3 Input Stage

The input pins (INA, INB, and DIS) of the UCC21550 are based on a TTL and CMOS compatible input-threshold logic that is totally isolated from the VDD supply voltage. The input pins are easy to drive with logic-level control signals (such as those from 3.3-V micro-controllers), since the UCC21550 has typical high threshold (V_{INAH}) of 2.0 V and a typical low threshold of 1 V. A wide hysteresis (V_{INA_HYS}) of 1 V makes for good noise immunity and stable operation. If any of the inputs are ever left open, internal pull-down resistors force the pin low. These resistors are typically 90 kΩ (see [Section 7.2](#)). However, it is still recommended to ground an input if it is not being used.

Since the input side of the UCC21550 is isolated from the output drivers, this allows the user to choose the most efficient VDD for their chosen gate. The amplitude of any signal applied to INA or INB should *never* be at a voltage higher than VCCI.

7.3.4 Output Stage

The UCC21550 output stages feature a pull-up structure which delivers the highest peak-source current when it is most needed, during the Miller plateau region of the power-switch turn on transition (when the power switch drain or collector voltage experiences dV/dt). The output stage pull-up structure features a P-channel MOSFET and an additional *Pull-Up* N-channel MOSFET in parallel. The function of the N-channel MOSFET is to provide a brief boost in the peak-sourcing current, enabling fast turn on. This is accomplished by briefly turning on the N-channel MOSFET during a narrow instant when the output is changing states from low to high.

The R_{OH} parameter is a DC measurement and it is representative of the on-resistance of the P-channel device only. This is because the *Pull-Up* N-channel device is held in the off state in DC condition and is turned on only for a brief instant when the output is changing states from low to high. This N-channel device has an on-resistance of approximately $1.47\ \Omega$. Therefore, the effective resistance of the UCC21550 pull-up stage during this brief turn-on phase is the parallel resistance between the pull-up NMOS and pull-up PMOS, which is $1.47\ \Omega // 5\ \Omega$, much lower than what is represented by the R_{OH} parameter. The value of R_{OH} belies the fast nature of the UCC21550 turn-on time.

The pull-down structure in the UCC21550 is simply composed of an N-channel MOSFET. The R_{OL} parameter, which is also a DC measurement, is representative of the impedance of the pull-down state in the device. Both outputs of the UCC21550 are capable of delivering 4-A peak source and 6-A peak sink current pulses. The output voltage swings between VDD and VSS provides rail-to-rail operation, thanks to the MOS-out stage which delivers very low drop-out.

To ensure robust and reliable operation of gate drivers, pay special attention to the minimum pulse width. The minimum pulse width shown in the electrical characteristics table describes the minimum input pulse that would be passed to the output in an unloaded driver. This is dictated by the deglitch filter present in the driver IC. An input ON or OFF pulse width longer than the maximum specification is needed to guarantee an output state change and avoid potential shoot-through. With a loaded driver, extra precaution must be taken to ensure robust operation of the system. During gate switching, if the output state changes before the driver completes each transition, a non-zero current switching event occurs. Combined with layout parasitics, non-zero current switching can cause internal rail overshoot and EOS damage of the gate driver. Thus, a minimum output width is needed for reliable system operation. This minimum output pulse width is dependent on several factors: gate capacitance, VDD supply voltage, gate resistance, and PCB layout parasitics. The minimum pulse width for robust operation might be magnitudes larger than the minimum pulse width shown in the electrical characteristics table. System-level study should be carried out to determine the minimum output pulse width required for each system.

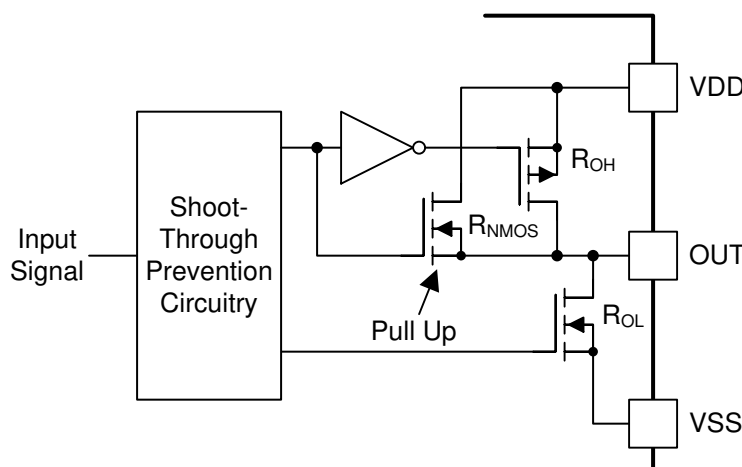


Figure 7-2. Output Stage

7.3.5 Diode Structure in the UCC21550

Figure 7-3 illustrates the multiple diodes involved in the ESD protection components of the UCC21550. This provides a pictorial representation of the absolute maximum rating for the device.

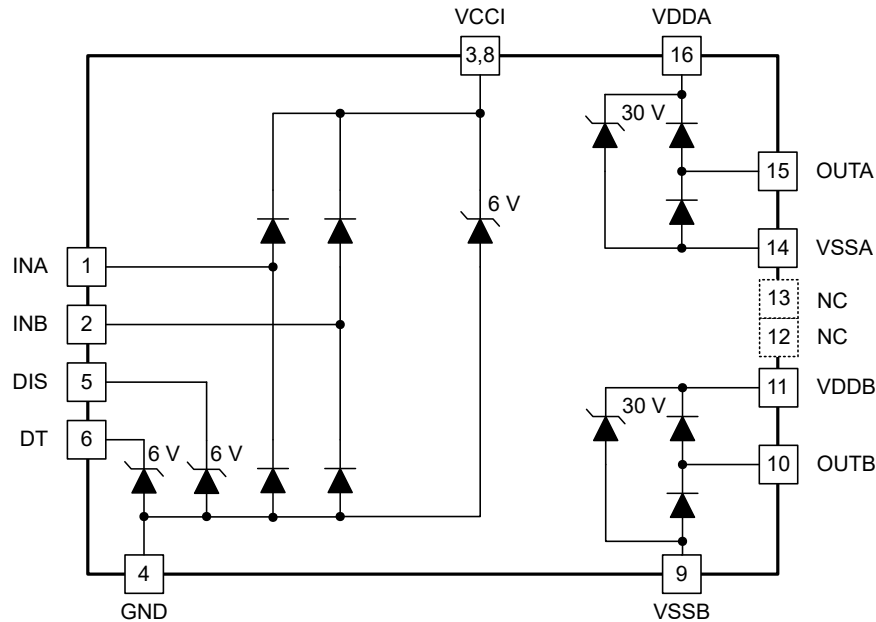


Figure 7-3. ESD Structure

7.4 Device Functional Modes

7.4.1 Disable Pin

Setting the DIS pin high (or left open) shuts down both outputs simultaneously. Grounding the DIS pin allows the UCC21550 to operate normally. The DIS response time is in the range of 48 ns and quite responsive, which is as fast as propagation delay. The DIS pin is only functional (and necessary) when VCCI stays above the UVLO threshold. It is recommended to tie this pin to ground if the DIS pin is not used to achieve better noise immunity, and it is recommended to bypass using a ≈ 1 -nF low ESR/ESL capacitor close to DIS pin when connecting DIS pin to a micro controller with distance.

7.4.2 Programmable Dead-Time (DT) Pin

The UCC21550 allows the user to adjust dead time (DT) in the following ways:

7.4.2.1 Tying the DT Pin to VCC

Outputs completely match inputs, so no dead time is asserted. This allows outputs to overlap.

7.4.2.2 DT Pin Connected to a Programming Resistor Between DT and GND Pins

Program t_{DT} by placing a resistor, R_{DT} , between the DT pin and GND. The appropriate R_{DT} value can be determined, where R_{DT} is in $k\Omega$ and t_{DT} is in ns:

$$t_{DT} \approx 53.5 \times R_{DT}(k\Omega) + 28 \quad (1)$$

Equation 1 is true when R_{DT} is in the range of 1.7 $k\Omega$ to 100 $k\Omega$. It is not recommended to use a R_{DT} with value greater than 100 $k\Omega$.

An input signal's falling edge activates the programmed dead time for the other signal. The output signals' dead time is always set to the longer of either the driver's programmed dead time or the input signal's own dead time. If both inputs are high simultaneously, both outputs will immediately be set low. This feature is used to prevent

shoot-through, and it does not affect the programmed dead time setting for normal operation. Various driver dead time logic operating conditions are illustrated and explained in [Figure 7-4](#):

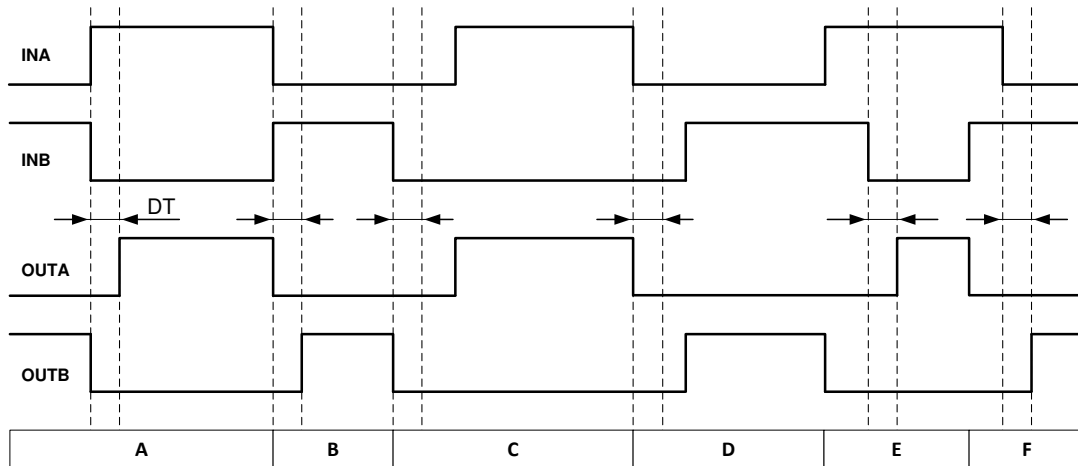


Figure 7-4. Input and Output Logic Relationship With Input Signals

Condition A: INB goes low, INA goes high. INB sets OUTB low immediately and assigns the programmed dead time to OUTA. OUTA is allowed to go high after the programmed dead time.

Condition B: INB goes high, INA goes low. Now INA sets OUTA low immediately and assigns the programmed dead time to OUTB. OUTB is allowed to go high after the programmed dead time.

Condition C: INB goes low, INA is still low. INB sets OUTB low immediately and assigns the programmed dead time for OUTA. In this case, the input signal's *own* dead time is longer than the programmed dead time. Thus, when INA goes high, it immediately sets OUTA high.

Condition D: INA goes low, INB is still low. INA sets OUTA low immediately and assigns the programmed dead time to OUTB. INB's *own* dead time is longer than the programmed dead time. Thus, when INB goes high, it immediately sets OUTB high.

Condition E: INA goes high, while INB and OUTB are still high. To avoid overshoot, INA immediately pulls OUTB low and keeps OUTA low. After some time OUTB goes low and assigns the programmed dead time to OUTA. OUTB is already low. After the programmed dead time, OUTA is allowed to go high.

Condition F: INB goes high, while INA and OUTA are still high. To avoid overshoot, INB immediately pulls OUTA low and keeps OUTB low. After some time OUTA goes low and assigns the programmed dead time to OUTB. OUTA is already low. After the programmed dead time, OUTB is allowed to go high.

8.2.1 Design Requirements

Table 8-1 lists reference design parameters for the example application: UCC21550 driving 1200-V SiC-MOSFETs in a high side-low side configuration.

Table 8-1. UCC21550 Design Requirements

PARAMETER	VALUE	UNITS
Power transistor	C2M0080120D	-
VCC	5.0	V
VDD	20	V
Input signal amplitude	3.3	V
Switching frequency (f_s)	100	kHz
DC link voltage	800	V

8.2.2 Detailed Design Procedure

8.2.2.1 Designing INA/INB Input Filter

It is recommended that users avoid shaping the signals to the gate driver in an attempt to slow down (or delay) the signal at the output. However, a small input R_{IN} - C_{IN} filter can be used to filter out the ringing introduced by non-ideal layout or long PCB traces.

Such a filter should use an R_{IN} in the range of 0 Ω to 100 Ω and a C_{IN} between 10 pF and 100 pF. In the example, an $R_{IN} = 51 \Omega$ and a $C_{IN} = 33$ pF are selected, with a corner frequency of approximately 100 MHz.

When selecting these components, it is important to pay attention to the trade-off between good noise immunity and propagation delay.

8.2.2.2 Select External Bootstrap Diode and its Series Resistor

The bootstrap capacitor is charged by VDD through an external bootstrap diode every cycle when the low side transistor turns on. Charging the capacitor involves high-peak currents, and therefore transient power dissipation in the bootstrap diode may be significant. Conduction loss also depends on the diode's forward voltage drop. Both the diode conduction losses and reverse recovery losses contribute to the total losses in the gate driver circuit.

When selecting external bootstrap diodes, it is recommended that one chose high voltage, fast recovery diodes or SiC Schottky diodes with a low forward voltage drop and low junction capacitance in order to minimize the loss introduced by reverse recovery and related grounding noise bouncing. In the example, the DC-link voltage is 800 V_{DC}. The voltage rating of the bootstrap diode should be higher than the DC-link voltage with a good margin. Therefore, a 1200-V SiC diode, C4D02120E, is chosen in this example.

When designing a bootstrap supply, it is recommended to use a bootstrap resistor, R_{BOOT} . A bootstrap resistor, is also used to reduce the inrush current in D_{BOOT} and limit the ramp up slew rate of voltage of VDDA-VSSA during each switching cycle.

Failure to limit the voltage to VDDx-VSSx to less than the Absolute Maximum Ratings of the FET and UCC21550 may result in permanent damage to the device in certain cases.

The recommended value for R_{BOOT} is between 1 Ω and 20 Ω depending on the diode used. In the example, a current limiting resistor of 2.2 Ω is selected to limit the inrush current of bootstrap diode. The estimated worst case peak current through D_{Boot} is,

$$I_{DBoot(pk)} = \frac{V_{DD} - V_{BDF}}{R_{Boot}} = \frac{20V - 2.5V}{2.2\Omega} \approx 8A \quad (2)$$

where

- V_{BDF} is the estimated bootstrap diode forward voltage drop at 8 A.

8.2.2.3 Gate Driver Output Resistor

The external gate driver resistors, R_{ON}/R_{OFF} , are used to:

1. Limit ringing caused by parasitic inductances/capacitances.
2. Limit ringing caused by high voltage/current switching dv/dt , di/dt , and body-diode reverse recovery.
3. Fine-tune gate drive strength, for example peak sink and source current to optimize the switching loss.
4. Reduce electromagnetic interference (EMI).

As mentioned in [Section 7.3.4](#), the UCC21550 has a pull-up structure with a P-channel MOSFET and an additional *pull-up* N-channel MOSFET in parallel. The combined peak source current is 4 A. Therefore, the peak source current can be predicted with:

$$I_{OA+} = \min\left(4A, \frac{V_{DD} - V_{BDF}}{R_{NMOS} \parallel R_{OH} + R_{ON} + R_{GFET_Int}}\right) \quad (3)$$

$$I_{OB+} = \min\left(4A, \frac{V_{DD}}{R_{NMOS} \parallel R_{OH} + R_{ON} + R_{GFET_Int}}\right) \quad (4)$$

where

- V_{BDF} is the estimated bootstrap diode forward voltage drop at 8 A.
- R_{ON} : External turn-on resistance.
- R_{GFET_Int} : Power transistor internal gate resistance, found in the power transistor datasheet.
- I_{O+} = Peak source current – The minimum value between 4 A, the gate driver peak source current, and the calculated value based on the gate drive loop resistance.

In this example:

$$I_{OA+} = \frac{V_{DD} - V_{BDF}}{R_{NMOS} \parallel R_{OH} + R_{ON} + R_{GFET_Int}} = \frac{20V - 0.8V}{1.47\Omega \parallel 5\Omega + 2.2\Omega + 4.6\Omega} \approx 2.4A \quad (5)$$

$$I_{OB+} = \frac{V_{DD}}{R_{NMOS} \parallel R_{OH} + R_{ON} + R_{GFET_Int}} = \frac{20V}{1.47\Omega \parallel 5\Omega + 2.2\Omega + 4.6\Omega} \approx 2.5A \quad (6)$$

Therefore, the high-side and low-side peak source current is 2.4 A and 2.5 A respectively. Similarly, the peak sink current can be calculated with:

$$I_{OA-} = \min\left(6A, \frac{V_{DD} - V_{BDF} - V_{GDF}}{R_{OL} + R_{OFF} \parallel R_{ON} + R_{GFET_Int}}\right) \quad (7)$$

$$I_{OB-} = \min\left(6A, \frac{V_{DD} - V_{GDF}}{R_{OL} + R_{OFF} \parallel R_{ON} + R_{GFET_Int}}\right) \quad (8)$$

where

- R_{OFF} : External turn-off resistance;
- V_{GDF} : The anti-parallel diode forward voltage drop which is in series with R_{OFF} . The diode in this example is an MSS1P4.
- I_{O-} : Peak sink current – the minimum value between 6 A, the gate driver peak sink current, and the calculated value based on the gate drive loop resistance.

In this example,

$$I_{OA-} = \frac{V_{DD} - V_{BDF} - V_{GDF}}{R_{OL} + R_{OFF} \parallel R_{ON} + R_{GFET_Int}} = \frac{20V - 0.8V - 0.75V}{0.55\Omega + 0\Omega + 4.6\Omega} \approx 3.6A \quad (9)$$

$$I_{OB-} = \frac{V_{DD} - V_{GDF}}{R_{OL} + R_{OFF} \parallel R_{ON} + R_{GFET_Int}} = \frac{20V - 0.75V}{0.55\Omega + 0\Omega + 4.6\Omega} \approx 3.7A \quad (10)$$

Therefore, the high-side and low-side peak sink current is 3.6 A and 3.7 A respectively.

Importantly, the estimated peak current is also influenced by PCB layout and load capacitance. Parasitic inductance in the gate driver loop can slow down the peak gate drive current and introduce overshoot and undershoot. Therefore, it is strongly recommended that the gate driver loop should be minimized. On the other hand, the peak source/sink current is dominated by loop parasitics when the load capacitance (C_{ISS}) of the power transistor is very small (typically less than 1 nF), because the rising and falling time is too small and close to the parasitic ringing period.

Failure to control OUTx voltage to less than the Absolute Maximum Ratings in the datasheet (including transients) may result in permanent damage to the device in certain cases. To reduce excessive gate ringing, it is recommended to use a ferrite bead near the gate of the FET. External clamping diodes can also be added in the case of extended overshoot/undershoot, in order to clamp the OUTx voltage to the VDDx and VSSx voltages.

8.2.2.4 Gate to Source Resistor Selection

A gate to source resistor, R_{GS} , is recommended to pull down the gate to the source voltage when the gate driver output is unpowered and in an indeterminate state. This resistor also helps to mitigate the risk of dv/dt induced turn-on due to Miller current before the gate driver is able to turn on and actively pull low. This resistor is typically sized between 5.1 k Ω and 20 k Ω , depending on the V_{th} and ratio of C_{GD} to C_{GS} of the power device.

8.2.2.5 Estimate Gate Driver Power Loss

The total loss, P_G , in the gate driver subsystem includes the power losses of the UCC21550 (P_{GD}) and the power losses in the peripheral circuitry, such as the external gate drive resistor. Bootstrap diode loss is not included in P_G and not discussed in this section.

P_{GD} is the key power loss which determines the thermal safety-related limits of the UCC21550, and it can be estimated by calculating losses from several components.

The first component is the static power loss, P_{GDQ} , which includes quiescent power loss on the driver as well as driver self-power consumption when operating with a certain switching frequency. P_{GDQ} is measured on the bench with no load connected to OUTA and OUTB at a given V_{CCI} , V_{DDA}/V_{DDB} , switching frequency and ambient temperature. In this example, $V_{CCI} = 5V$ and $V_{VDD} = 20V$. The current on each power supply, with INA/INB switching from 0 V to 3.3 V at 100 kHz is measured to be $I_{VCCI} = 2.5mA$, and $I_{VDDA} = I_{VDDB} = 2.5mA$. Therefore, the P_{GDQ} can be calculated with

$$P_{GDQ} = V_{VCCI} \times I_{VCCI} + V_{VDDA} \times I_{DDA} + V_{VDDB} \times I_{DDB} = 112.5mW \quad (11)$$

The second component is switching operation loss, P_{GDO} , with a given load capacitance which the driver charges and discharges the load during each switching cycle. Total dynamic loss due to load switching, P_{GSW} , can be estimated with

$$P_{GSW} = 2 \times V_{DD} \times Q_G \times f_{SW} \quad (12)$$

where

- Q_G is the gate charge of the power transistor.

If a split rail is used to turn on and turn off, then VDD is going to be equal to difference between the positive rail to the negative rail.

So, for this example application:

$$P_{GSW} = 2 \times 20V \times 60nC \times 100kHz = 240mW \quad (13)$$

Q_G represents the total gate charge of the power transistor switching 800 V at 20 A, and is subject to change with different testing conditions. The UCC21550 gate driver loss on the output stage, P_{GDO} , is part of P_{GSW} . P_{GDO} will be equal to P_{GSW} if the external gate driver resistances are zero, and all the gate driver loss is dissipated inside the UCC21550. If there are external turn-on and turn-off resistances, the total loss will be distributed between the gate driver pull-up/down resistances and external gate resistances. Importantly, the pull-up/down resistance is a linear and fixed resistance if the source/sink current is not saturated to 4 A/6 A, however, it will be non-linear if the source/sink current is saturated. Therefore, P_{GDO} is different in these two scenarios.

Case 1 - Linear Pull-Up/Down Resistor:

$$P_{GDO} = \frac{P_{GSW}}{2} \times \left(\frac{R_{OH} \parallel R_{NMOS}}{R_{OH} \parallel R_{NMOS} + R_{ON} + R_{GFET_Int}} + \frac{R_{OL}}{R_{OL} + R_{OFF} \parallel R_{ON} + R_{GFET_Int}} \right) \quad (14)$$

In this design example, all the predicted source/sink currents are less than 4 A/6 A, therefore, the UCC21550 gate driver loss can be estimated with:

$$P_{GDO} = \frac{240mW}{2} \times \left(\frac{5\Omega \parallel 1.47\Omega}{5\Omega \parallel 1.47\Omega + 2.2\Omega + 4.6\Omega} + \frac{0.55\Omega}{0.55\Omega + 0\Omega + 4.6\Omega} \right) \approx 30mW \quad (15)$$

Case 2 - Nonlinear Pull-Up/Down Resistor:

$$P_{GDO} = 2 \times f_{SW} \times \left[4A \times \int_0^{T_{R_Sys}} (V_{DD} - V_{OUTA/B}(t)) dt + 6A \times \int_0^{T_{F_Sys}} V_{OUTA/B}(t) dt \right] \quad (16)$$

where

- $V_{OUTA/B}(t)$ is the gate driver OUTA and OUTB pin voltage during the turn on and off transient, and it can be simplified that a constant current source (4 A at turn-on and 6 A at turn-off) is charging/discharging a load capacitor. Then, the $V_{OUTA/B}(t)$ waveform will be linear and the T_{R_Sys} and T_{F_Sys} can be easily predicted.

For some scenarios, if only one of the pull-up or pull-down circuits is saturated and another one is not, the P_{GDO} will be a combination of Case 1 and Case 2, and the equations can be easily identified for the pull-up and pull-down based on the above discussion. Therefore, total gate driver loss dissipated in the gate driver UCC21550, P_{GD} , is:

$$P_{GD} = P_{GDQ} + P_{GDO} \quad (17)$$

which is equal to 142.5 mW in the design example.

8.2.2.6 Estimating Junction Temperature

The junction temperature (T_J) of the UCC21550 can be estimated with:

$$T_J = T_C + \Psi_{JT} \times P_{GD} \quad (18)$$

where

- T_C is the UCC21550 case-top temperature measured with a thermocouple or some other instrument, and
- Ψ_{JT} is the Junction-to-top characterization parameter

Using the junction-to-top characterization parameter (Ψ_{JT}) instead of the junction-to-case thermal resistance ($R_{\theta JC}$) can greatly improve the accuracy of the junction temperature estimation. The majority of the thermal energy of most ICs is released into the PCB through the package leads, whereas only a small percentage of the total energy is released through the top of the case (where thermocouple measurements are usually conducted). $R_{\theta JC}$ can only be used effectively when most of the thermal energy is released through the case, such as with metal packages or when a heatsink is applied to an IC package. In all other cases, use of $R_{\theta JC}$ will inaccurately estimate the true junction temperature. Ψ_{JT} is experimentally derived by assuming that the amount of energy leaving through the top of the IC will be similar in both the testing environment and the application environment. As long as the recommended layout guidelines are observed, junction temperature estimates can be made accurately to within a few degrees Celsius. For more information, see the [Semiconductor and IC Package Thermal Metrics Application Report](#).

8.2.2.7 Selecting VCCI, VDDA/B Capacitor

Bypass capacitors for VCCI, VDDA, and VDDDB are essential for achieving reliable performance. It is recommended that one choose low ESR and low ESL surface-mount multi-layer ceramic capacitors (MLCC) with sufficient voltage ratings, temperature coefficients and capacitance tolerances. Importantly, DC bias on an MLCC will impact the actual capacitance value. For example, a 25-V, 1- μ F X7R capacitor is measured to be only 500 nF when a DC bias of 15 V_{DC} is applied.

8.2.2.7.1 Selecting a VCCI Capacitor

A bypass capacitor connected to VCCI supports the transient current needed for the primary logic and the total current consumption, which is only a few mA. Therefore, a 50-V MLCC with over 100 nF is recommended for this application. If the bias power supply output is a relatively long distance from the VCCI pin, a tantalum or electrolytic capacitor, with a value over 1 μ F, should be placed in parallel with the MLCC.

8.2.2.7.2 Selecting a VDDA (Bootstrap) Capacitor

A VDDA capacitor, also referred to as a *bootstrap capacitor* in bootstrap power supply configurations, allows for gate drive current transients up to 6 A, and needs to maintain a stable gate drive voltage for the power transistor.

The total charge needed per switching cycle can be estimated with

$$Q_{Total} = Q_G + \frac{I_{VDD}}{f_{sw}} = 60nC + \frac{2.5mA}{100kHz} = 85nC \quad (19)$$

where

- Q_{Total} : Total charge needed
- Q_G : Gate charge of the power transistor.
- I_{VDD} : The channel self-current consumption with no load at 100 kHz.
- f_{sw} : The switching frequency of the gate driver

Therefore, the absolute minimum C_{Boot} requirement is:

$$C_{Boot} = \frac{Q_{Total}}{\Delta V_{VDDA}} = \frac{85nC}{0.5V} = 170nF \quad (20)$$

where

- ΔV_{VDDA} is the voltage ripple at VDDA, which is 0.5 V in this example.

In practice, the value of C_{Boot} is greater than the calculated value. This allows for the capacitance shift caused by the DC bias voltage and for situations where the power stage would otherwise skip pulses due to load transients. Therefore, it is recommended to include a safety-related margin in the C_{Boot} value and place it as close to the VDD and VSS pins as possible. A 50-V 1- μ F capacitor is chosen in this example.

$$C_{\text{Boot}} = 1\mu\text{F} \quad (21)$$

Care should be taken when selecting the bootstrap capacitor to ensure that the VDD to VSS voltage does not drop below the recommended minimum operating level listed in the Recommended Operating Conditions section. The value of the bootstrap capacitor should be sized such that it can supply the initial charge to switch the power device, and then continuously supply the gate driver quiescent current for the duration of the high-side on-time.

If the high-side supply voltage drops below the UVLO falling threshold, the high-side gate driver output will turn off and switch the power device off. Uncontrolled hard-switching of power devices can cause high di/dt and high dv/dt transients on the output of the driver and may result in permanent damage to the device.

To further lower the AC impedance for a wide frequency range, it is recommended to have bypass capacitor placed very close to VDDx - VSSx pins with a low ESL/ESR. In this example a 100-nF, X7R ceramic capacitor, is placed in parallel with C_{Boot} to optimize the transient performance.

Note

Too large C_{BOOT} is not always good. C_{BOOT} may not be charged within the first few cycles and V_{BOOT} could stay below UVLO. As a result, the high-side FET does not follow input signal command. Also during initial C_{BOOT} charging cycles, the bootstrap diode has highest reverse recovery current and losses.

8.2.2.7.3 Select a VDDB Capacitor

Channel B has the same current requirements as Channel A, Therefore, a VDDB capacitor (shown as C_{VDD} in [Figure 8-1](#)) is needed. In this example with a bootstrap configuration, the VDDB capacitor will also supply current for VDDA through the bootstrap diode. A 50-V, 10-μF MLCC and a 50-V, 220-nF MLCC are chosen for C_{VDD}. If the bias power supply output is a relatively long distance from the VDDB pin, a tantalum or electrolytic capacitor, with a value over 10 μF, should be used in parallel with CVDD.

8.2.2.8 Dead Time Setting Guidelines

For power converter topologies utilizing half-bridges, the dead time setting between the top and bottom transistor is important for preventing shoot-through during dynamic switching.

The UCC21550 dead time specification in the electrical table is defined as the time interval from 90% of one channel's falling edge to 10% of the other channel's rising edge (see [Figure 6-4](#)). This definition ensures that the dead time setting is independent of the load condition, and ensures linearity through manufacture testing. However, this dead time setting may not reflect the dead time in the power converter system, since the dead time setting is dependent on the external gate drive turn-on/off resistor, DC-Link switching voltage/current, as well as the input capacitance of the load transistor.

Here is a suggestion on how to select an appropriate dead time:

$$DT_{\text{Setting}} = DT_{\text{Req}} + T_{\text{F_Sys}} + T_{\text{R_Sys}} - T_{\text{D(on)}} \quad (22)$$

where

- DT_{setting}: UCC21550 dead time setting in ns, $DT_{\text{Setting}} = 8.6 \times RDT(\text{in k}\Omega) + 13$.
- DT_{Req}: System required dead time between the real V_{GS} signal of the top and bottom switch with enough margin, or ZVS requirement.
- T_{F_Sys}: In-system gate turn-off falling time at worst case of load, voltage/current conditions.
- T_{R_Sys}: In-system gate turn-on rising time at worst case of load, voltage/current conditions.
- T_{D(on)}: Turn-on delay time, from 10% of the transistor gate signal to power transistor gate threshold.

It should be noted that the UCC21550 dead time setting is decided by the DT pin configuration (see [Section 7.4.2](#)), and it cannot automatically fine-tune the dead time based on system conditions.

8.2.2.9 Application Circuits with Output Stage Negative Bias

When parasitic inductances are introduced by non-ideal PCB layout and long package leads (for example, TO-220 and TO-247 type packages), there could be ringing in the gate-source drive voltage of the power transistor during high di/dt and dv/dt switching. If the ringing is over the threshold voltage, there is the risk of unintended turn-on and even shoot-through. Applying a negative bias on the gate drive is a popular way to keep such ringing below the threshold. Below are a few examples of implementing negative gate drive bias.

Figure 8-2 shows the first example with negative bias turn-off on the channel-A driver using a Zener diode on the isolated power supply output stage. The negative bias is set by the Zener diode voltage. If the isolated power supply, V_A , is equal to 25 V, the turn-off voltage will be -5.1 V and turn-on voltage will be 25 V $-$ 5.1 V \approx 20 V. The channel-B driver circuit is the same as channel-A, therefore, this configuration needs two power supplies for a half-bridge configuration, and there will be steady state power consumption from R_Z .

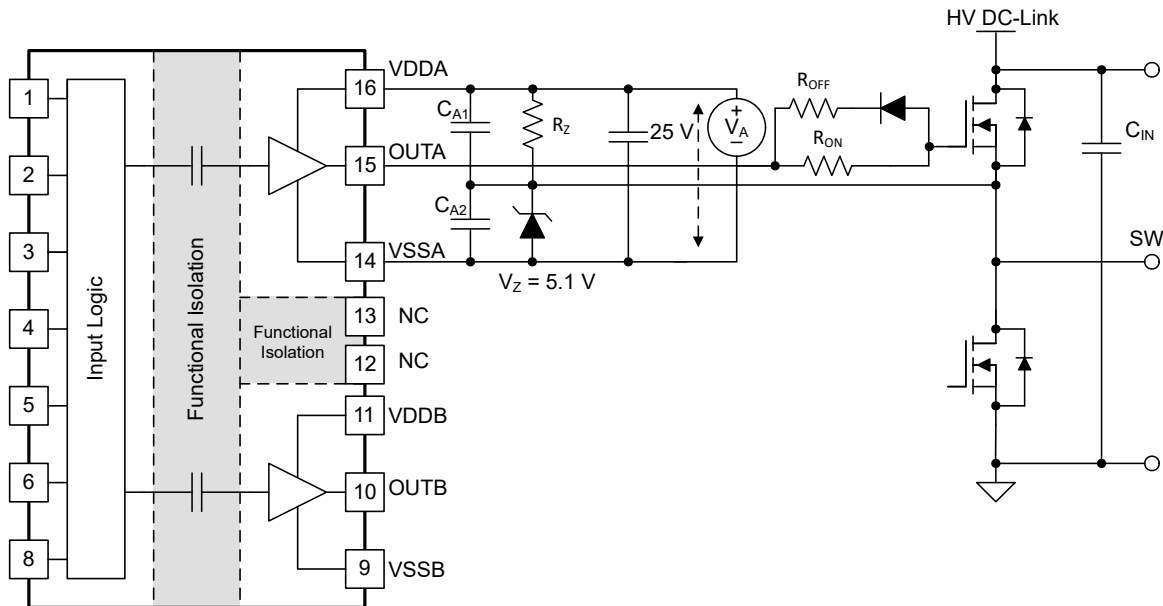


Figure 8-2. Negative Bias with Zener Diode on Iso-Bias Power Supply Output

Figure 8-3 shows another example which uses two supplies (or single-input-double-output power supply). Power supply V_{A+} determines the positive drive output voltage and V_{A-} determines the negative turn-off voltage. The configuration for channel B is the same as channel A. This solution requires more power supplies than the first example, however, it provides more flexibility when setting the positive and negative rail voltages.

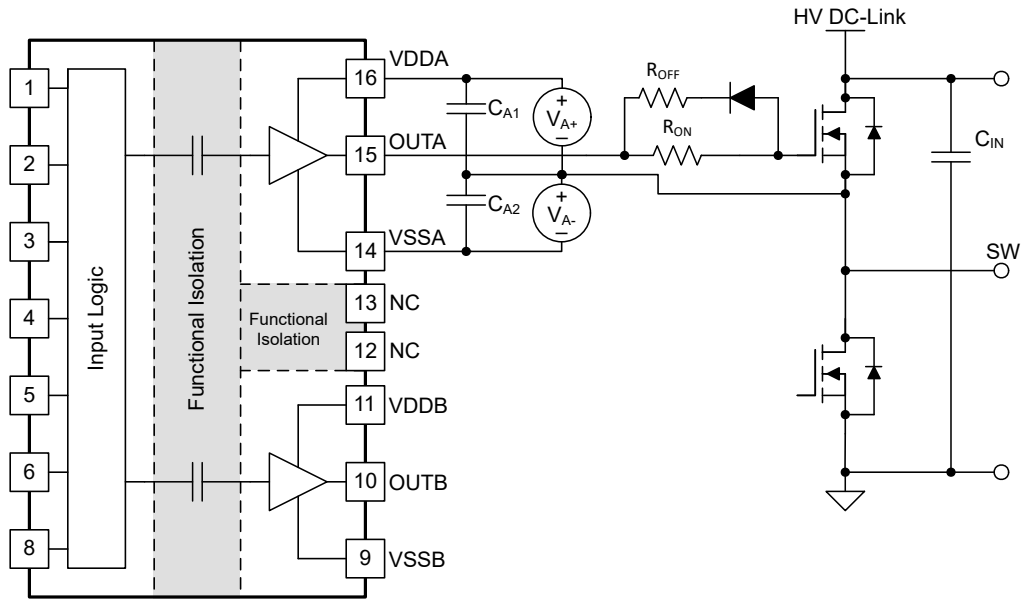


Figure 8-3. Negative Bias with Two Iso-Bias Power Supplies

The last example, shown in [Figure 8-4](#), is a single power supply configuration and generates negative bias through a Zener diode in the gate drive loop. The benefit of this solution is that it only uses one power supply and the bootstrap power supply can be used for the high side drive. This design requires the least cost and design effort among the three solutions. However, this solution has limitations:

1. The negative gate drive bias is not only determined by the Zener diode, but also by the duty cycle, which means the negative bias voltage will change when the duty cycle changes. Therefore, converters with a fixed duty cycle (~50%) such as variable frequency resonant converters or phase shift converters favor this solution.
2. The high side VDDA-VSSA must maintain enough voltage to stay in the recommended power supply range, which means the low side switch must turn-on or have free-wheeling current on the body (or anti-parallel) diode for a certain period during each switching cycle to refresh the bootstrap capacitor. Therefore, a 100% duty cycle for the high side is not possible unless there is a dedicated power supply for the high side, like in the other two example circuits.

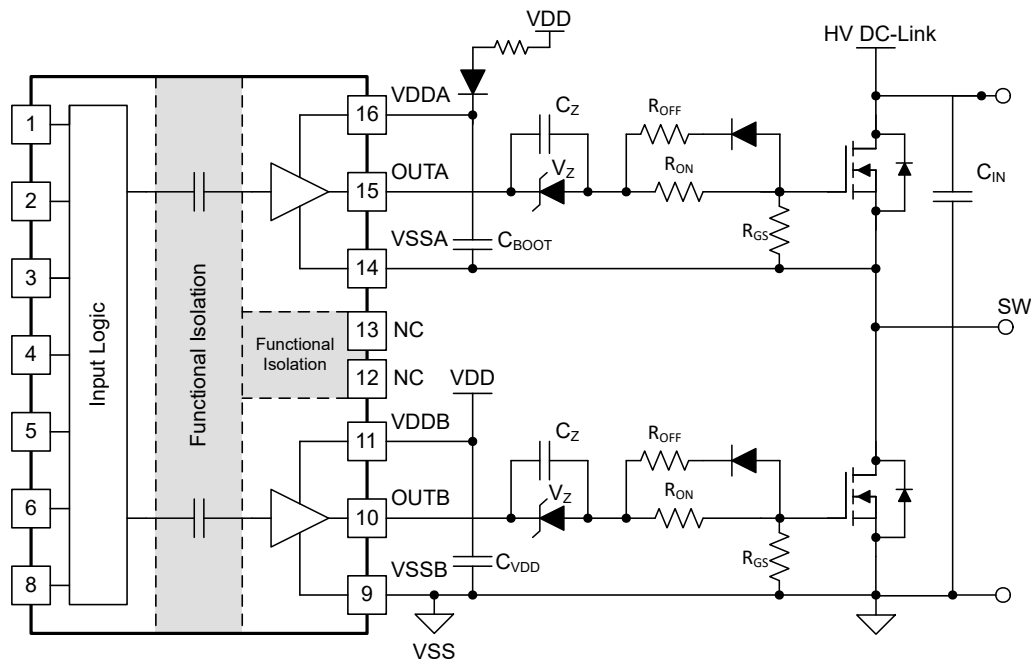


Figure 8-4. Negative Bias with Single Power Supply and Zener Diode in Gate Drive Path

8.2.3 Application Curves

Figure 8-5 shows the bench test waveforms for the design example shown in Figure 8-1 under these conditions: $V_{CC} = 5\text{ V}$, $V_{DD} = 20\text{ V}$, $f_{SW} = 100\text{ kHz}$, $V_{DC-Link} = 0\text{ V}$.

Channel 1 (Yellow): UCC21550 INA pin signal.

Channel 2 (Blue): UCC21550 INB pin signal.

Channel 3 (Pink): Gate-source signal on the high side power transistor.

Channel 4 (Green): Gate-source signal on the low side power transistor.



Figure 8-5. Bench Test Waveform for INA/B and OUTA/B

9 Power Supply Recommendations

The recommended input supply voltage (VCCI) for the UCC21550 is between 2.7 V and 5.5 V. The output bias supply voltage (VDDA/VDDB) range depends on which version of the UCC21550 is being used. The lower end of this bias supply range is governed by the internal under voltage lockout (UVLO) protection feature of each device. VDD or VCCI cannot fall below their respective UVLO thresholds (for more information on UVLO see [Section 7.3.1](#)). The upper end of the VDDA/VDDB range depends on the maximum gate voltage of the power device being driven by the UCC21550 with a recommended maximum VDDA/VDDB of 25 V.

A local bypass capacitor should be placed between the VDD and VSS pins. This capacitor should be positioned as close to the device as possible. A low ESR, ceramic surface mount capacitor is recommended. It is further suggested to place two such capacitors: one with a value of $\approx 10\text{-}\mu\text{F}$ for device biasing, and an additional $\leq 100\text{-nF}$ capacitor in parallel for high frequency filtering.

Similarly, a bypass capacitor should also be placed between the VCCI and GND pins. Given the small amount of current drawn by the logic circuitry within the input side of the UCC21550, this bypass capacitor has a minimum recommended value of 100 nF.

10 Layout

10.1 Layout Guidelines

The user must pay close attention to PCB layout in order to achieve optimum performance for the UCC21550. Below are some key points.

Component Placement:

- Low-ESR and low-ESL capacitors must be connected close to the device between the VCCI and GND pins and between the VDD and VSS pins to support high peak currents when turning on the external power transistor.
- To avoid large negative transients on the switch node VSSA (HS) pin, the parasitic inductances between the source of the top transistor and the source of the bottom transistor must be minimized.
- It is recommended to place the dead-time setting resistor, R_{DT} , and its bypassing capacitor close to DT pin of the UCC21550.
- It is recommended to bypass using a ≈ 1 -nF low ESR/ESL capacitor, C_{DIS} , close to DIS pin when connecting to a μC with distance.

Grounding Considerations:

- It is essential to confine the high peak currents that charge and discharge the transistor gates to a minimal physical area. This will decrease the loop inductance and minimize noise on the gate terminals of the transistors. The gate driver must be placed as close as possible to the transistors.
- Pay attention to high current path that includes the bootstrap capacitor, bootstrap diode, local VSSB-referenced bypass capacitor, and the low-side transistor body/anti-parallel diode. The bootstrap capacitor is recharged on a cycle-by-cycle basis through the bootstrap diode by the VDD bypass capacitor. This recharging occurs in a short time interval and involves a high peak current. Minimizing this loop length and area on the circuit board is important for ensuring reliable operation.

High-Voltage Considerations:

- To ensure isolation performance between the primary and secondary side, one should avoid placing any PCB traces or copper below the driver device. A PCB cutout is recommended in order to prevent contamination that may compromise the UCC21550's isolation performance.
- For half-bridge, or high-side/low-side configurations, where the channel A and channel B drivers could operate with a DC-link voltage up to $1500 V_{DC}$, one should try to increase the creepage distance of the PCB layout between the high and low-side PCB traces.

Thermal Considerations:

- A large amount of power may be dissipated by the UCC21550 if the driving voltage is high, the load is heavy, or the switching frequency is high (refer to [Section 8.2.2.5](#) for more details). Proper PCB layout can help dissipate heat from the device to the PCB and minimize junction to board thermal impedance (θ_{JB}).
- Increasing the PCB copper connecting to VDDA, VDDB, VSSA and VSSB pins is recommended, with priority on maximizing the connection to VSSA and VSSB (see [Figure 10-2](#) and [Figure 10-3](#)). However, high voltage PCB considerations mentioned above must be maintained.
- If there are multiple layers in the system, it is also recommended to connect the VDDA, VDDB, VSSA and VSSB pins to internal ground or power planes through multiple vias of adequate size. However, keep in mind that there should not be any traces/coppers from different high voltage planes overlapping.

10.2 Layout Example

Figure 10-1 shows a 2-layer PCB layout example with the signals and key components labeled.

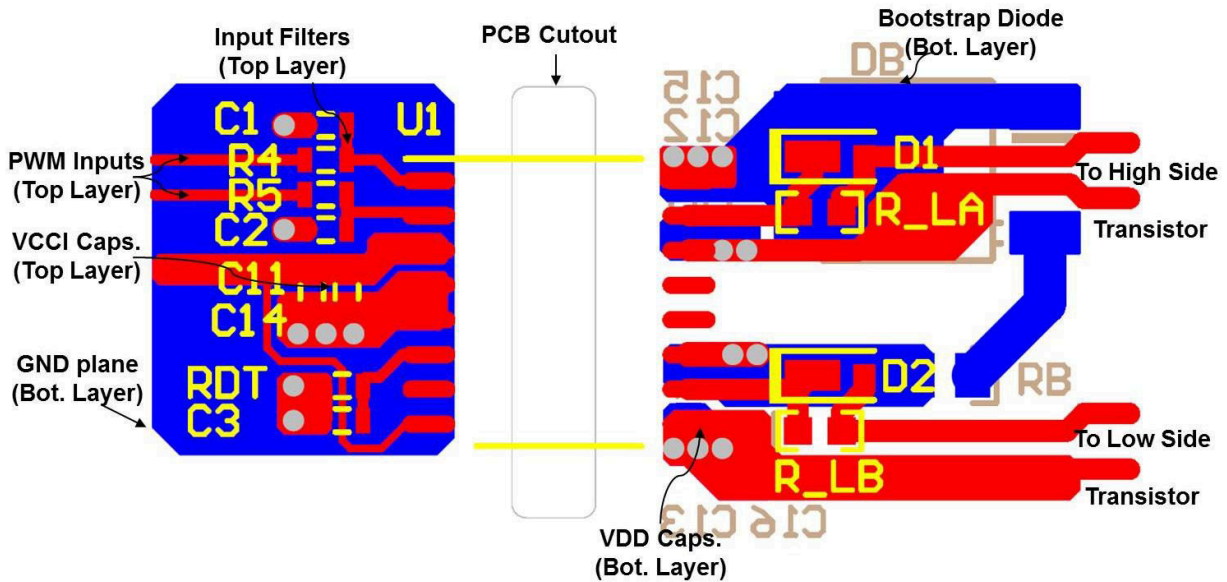


Figure 10-1. Layout Example

Figure 10-2 and Figure 10-3 shows top and bottom layer traces and copper.

Note

There are no PCB traces or copper between the primary and secondary side, which ensures isolation performance.

PCB traces between the high-side and low-side gate drivers in the output stage are increased to maximize the creepage distance for high-voltage operation, which will also minimize cross-talk between the switching node VSSA (SW), where high dv/dt may exist, and the low-side gate drive due to the parasitic capacitance coupling.

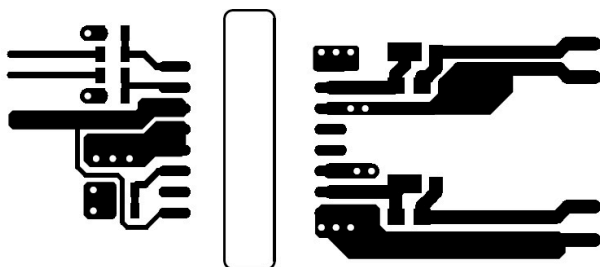


Figure 10-2. Top Layer Traces and Copper

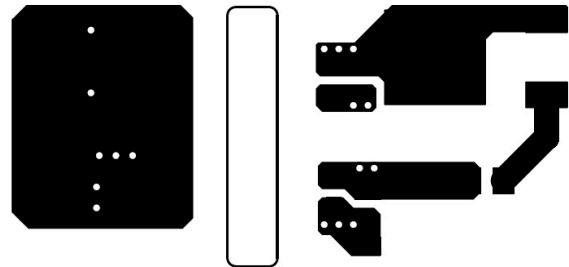


Figure 10-3. Bottom Layer Traces and Copper

Figure 10-4 and Figure 10-5 are 3D layout pictures with top view and bottom views.

Note

The location of the PCB cutout between the primary side and secondary sides, which ensures isolation performance.

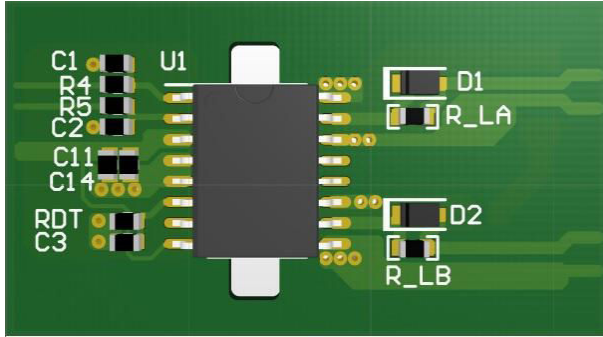


Figure 10-4. 3-D PCB Top View

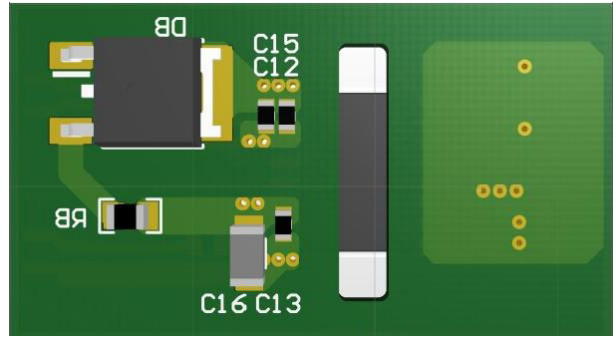


Figure 10-5. 3-D PCB Bottom View

11 Device and Documentation Support

11.1 Device Support

11.1.1 Third-Party Products Disclaimer

TI'S PUBLICATION OF INFORMATION REGARDING THIRD-PARTY PRODUCTS OR SERVICES DOES NOT CONSTITUTE AN ENDORSEMENT REGARDING THE SUITABILITY OF SUCH PRODUCTS OR SERVICES OR A WARRANTY, REPRESENTATION OR ENDORSEMENT OF SUCH PRODUCTS OR SERVICES, EITHER ALONE OR IN COMBINATION WITH ANY TI PRODUCT OR SERVICE.

11.2 Documentation Support

11.2.1 Related Documentation

For related documentation see the following:

- [Semiconductor and IC Package Thermal Metrics Application Report](#)
- [Isolation Glossary](#)

11.3 Certifications

UL Online Certifications Directory, "[FPPT2.E181974 Nonoptical Isolating Devices - Component](#)" Certificate Number: 20160516-E181974,

VDE [Pruf- und Zertifizierungsinstitut Certification](#), Certificate of Conformity with Factory Surveillance

CQC Online Certifications Directory, "[GB4943.1-2011, Digital Isolator Certificate](#)" Certificate Number: CQC16001155011

CSA Online Certifications Directory, "[CSA Certificate of Compliance](#)" Certificate Number: 70097761, Master Contract Number: 220991

11.4 Receiving Notification of Documentation Updates

To receive notification of documentation updates, navigate to the device product folder on [ti.com](#). Click on *Notifications* to register and receive a weekly digest of any product information that has changed. For change details, review the revision history included in any revised document.

11.5 Support Resources

[TI E2E™ support forums](#) are an engineer's go-to source for fast, verified answers and design help — straight from the experts. Search existing answers or ask your own question to get the quick design help you need.

Linked content is provided "AS IS" by the respective contributors. They do not constitute TI specifications and do not necessarily reflect TI's views; see TI's [Terms of Use](#).

11.6 Trademarks

TI E2E™ is a trademark of Texas Instruments.

All trademarks are the property of their respective owners.

11.7 Electrostatic Discharge Caution



This integrated circuit can be damaged by ESD. Texas Instruments recommends that all integrated circuits be handled with appropriate precautions. Failure to observe proper handling and installation procedures can cause damage.

ESD damage can range from subtle performance degradation to complete device failure. Precision integrated circuits may be more susceptible to damage because very small parametric changes could cause the device not to meet its published specifications.

11.8 Glossary

[TI Glossary](#) This glossary lists and explains terms, acronyms, and definitions.

12 Revision History

NOTE: Page numbers for previous revisions may differ from page numbers in the current version.

Changes from Revision A (November 2023) to Revision B (June 2024)	Page
• Added new device spins.....	1
• Changed typical application schematic disable capacitor naming.....	1
• Added DWK package drawing.....	3
• Added DIS pin description.....	3
• Added recommendation on DT capacitor size.....	3
• Added ch-ch isolation voltage for DWK package.....	5
• Changed HBM ESD from +/-4000V to +/-2000V.....	5
• Added 12V UVLO spin.....	5
• Added thermal information for DWK package.....	5
• Updated overvoltage category of ≤600Vrms from I-IV to I-III per latest standards.....	7
• Updated overvoltage category of ≤1000Vrms from I-III to I-II per latest standard.....	7
• Updated VDE to latest standard.....	7
• Added safety limiting values for DWK package.....	8
• Changed test condition from EN=VCC to DIS=GND.....	9
• Changed VCC quiescent current typical and max to tighten spec.....	9
• Changed VDD quiescent current typical and max.....	9
• Added 12V UVLO spin.....	9
• Added minimum propagation delay of 26ns	10
• Changed typical DIS delay from 49ns to 48ns.....	10
• Changed typical minimum input pulse from 9ns to 12ns.....	10
• Changed TDDB curve to match basic isolation.....	11
• Added thermal derating limiting current and limiting power curves for DWK package.....	11
• Added typical characteristics plot for 12V UVLO.....	13
• Changed plot titles to reflect DIS spins.....	13
• Changed typical application schematic disable capacitor naming.....	27

Changes from Revision * (May 2023) to Revision A (November 2023)	Page
• Changed UCC21550ADWR from Advance Information to Production Data and UCC21550BDWR from Product Preview to Production Data.....	1
• Changed data sheet status from Advance Information Mixed Status to Production Data Status.....	1

13 Mechanical, Packaging, and Orderable Information

The following pages include mechanical, packaging, and orderable information. This information is the most current data available for the designated devices. This data is subject to change without notice and revision of this document. For browser-based versions of this data sheet, refer to the left-hand navigation.

PACKAGING INFORMATION

Orderable Device	Status (1)	Package Type	Package Drawing	Pins	Package Qty	Eco Plan (2)	Lead finish/ Ball material (6)	MSL Peak Temp (3)	Op Temp (°C)	Device Marking (4/5)	Samples
UCC21550ADWKR	ACTIVE	SOIC	DWK	14	2000	RoHS & Green	NIPDAU	Level-2-260C-1 YEAR	-40 to 150	21550A	Samples
UCC21550ADWR	ACTIVE	SOIC	DW	16	2000	RoHS & Green	NIPDAU	Level-2-260C-1 YEAR	-40 to 150	UCC21550A	Samples
UCC21550BDWKR	ACTIVE	SOIC	DWK	14	2000	RoHS & Green	NIPDAU	Level-2-260C-1 YEAR	-40 to 150	21550B	Samples
UCC21550BDWR	ACTIVE	SOIC	DW	16	2000	RoHS & Green	NIPDAU	Level-2-260C-1 YEAR	-40 to 150	UCC21550B	Samples
UCC21550CDWKR	ACTIVE	SOIC	DWK	14	2000	RoHS & Green	NIPDAU	Level-2-260C-1 YEAR	-40 to 150	21550C	Samples

(1) The marketing status values are defined as follows:

ACTIVE: Product device recommended for new designs.

LIFEBUY: TI has announced that the device will be discontinued, and a lifetime-buy period is in effect.

NRND: Not recommended for new designs. Device is in production to support existing customers, but TI does not recommend using this part in a new design.

PREVIEW: Device has been announced but is not in production. Samples may or may not be available.

OBSELETE: TI has discontinued the production of the device.

(2) **RoHS:** TI defines "RoHS" to mean semiconductor products that are compliant with the current EU RoHS requirements for all 10 RoHS substances, including the requirement that RoHS substance do not exceed 0.1% by weight in homogeneous materials. Where designed to be soldered at high temperatures, "RoHS" products are suitable for use in specified lead-free processes. TI may reference these types of products as "Pb-Free".

RoHS Exempt: TI defines "RoHS Exempt" to mean products that contain lead but are compliant with EU RoHS pursuant to a specific EU RoHS exemption.

Green: TI defines "Green" to mean the content of Chlorine (Cl) and Bromine (Br) based flame retardants meet JS709B low halogen requirements of <=1000ppm threshold. Antimony trioxide based flame retardants must also meet the <=1000ppm threshold requirement.

(3) MSL, Peak Temp. - The Moisture Sensitivity Level rating according to the JEDEC industry standard classifications, and peak solder temperature.

(4) There may be additional marking, which relates to the logo, the lot trace code information, or the environmental category on the device.

(5) Multiple Device Markings will be inside parentheses. Only one Device Marking contained in parentheses and separated by a "~" will appear on a device. If a line is indented then it is a continuation of the previous line and the two combined represent the entire Device Marking for that device.

(6) Lead finish/Ball material - Orderable Devices may have multiple material finish options. Finish options are separated by a vertical ruled line. Lead finish/Ball material values may wrap to two lines if the finish value exceeds the maximum column width.

Important Information and Disclaimer: The information provided on this page represents TI's knowledge and belief as of the date that it is provided. TI bases its knowledge and belief on information provided by third parties, and makes no representation or warranty as to the accuracy of such information. Efforts are underway to better integrate information from third parties. TI has taken and continues to take reasonable steps to provide representative and accurate information but may not have conducted destructive testing or chemical analysis on incoming materials and chemicals. TI and TI suppliers consider certain information to be proprietary, and thus CAS numbers and other limited information may not be available for release.

In no event shall TI's liability arising out of such information exceed the total purchase price of the TI part(s) at issue in this document sold by TI to Customer on an annual basis.

OTHER QUALIFIED VERSIONS OF UCC21550 :

- Automotive : [UCC21550-Q1](#)

NOTE: Qualified Version Definitions:

- Automotive - Q100 devices qualified for high-reliability automotive applications targeting zero defects

IMPORTANT NOTICE AND DISCLAIMER

TI PROVIDES TECHNICAL AND RELIABILITY DATA (INCLUDING DATA SHEETS), DESIGN RESOURCES (INCLUDING REFERENCE DESIGNS), APPLICATION OR OTHER DESIGN ADVICE, WEB TOOLS, SAFETY INFORMATION, AND OTHER RESOURCES "AS IS" AND WITH ALL FAULTS, AND DISCLAIMS ALL WARRANTIES, EXPRESS AND IMPLIED, INCLUDING WITHOUT LIMITATION ANY IMPLIED WARRANTIES OF MERCHANTABILITY, FITNESS FOR A PARTICULAR PURPOSE OR NON-INFRINGEMENT OF THIRD PARTY INTELLECTUAL PROPERTY RIGHTS.

These resources are intended for skilled developers designing with TI products. You are solely responsible for (1) selecting the appropriate TI products for your application, (2) designing, validating and testing your application, and (3) ensuring your application meets applicable standards, and any other safety, security, regulatory or other requirements.

These resources are subject to change without notice. TI grants you permission to use these resources only for development of an application that uses the TI products described in the resource. Other reproduction and display of these resources is prohibited. No license is granted to any other TI intellectual property right or to any third party intellectual property right. TI disclaims responsibility for, and you will fully indemnify TI and its representatives against, any claims, damages, costs, losses, and liabilities arising out of your use of these resources.

TI's products are provided subject to [TI's Terms of Sale](#) or other applicable terms available either on [ti.com](https://www.ti.com) or provided in conjunction with such TI products. TI's provision of these resources does not expand or otherwise alter TI's applicable warranties or warranty disclaimers for TI products.

TI objects to and rejects any additional or different terms you may have proposed.

Mailing Address: Texas Instruments, Post Office Box 655303, Dallas, Texas 75265
Copyright © 2024, Texas Instruments Incorporated